

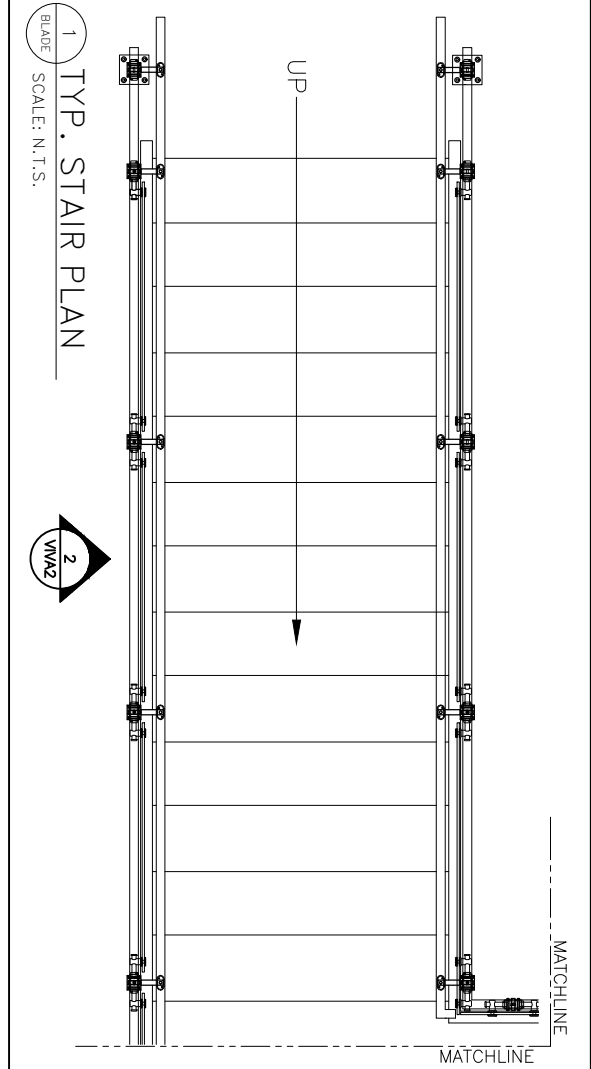
INFILL OPTIONS - 3/8" OR 1/2" TEMPERED GLASS, PERFORATED METAL PANELS OR VARIOUS OTHER INFILLS OPTIONS AVAILABLE VISIT: <http://www.vivahardware.com/infill>

BLADE RAILING SYSTEM		
CUSTOMER NAME:	SHEET #:	TOTAL #:
	1	6
CONTACT INFORMATION:	ISSUE DATE:	
	03.22.10	

<small>RAIL SYSTEM SPECIFICATION:</small>
VIVA BLADE RAILING SYSTEM
NOTES:

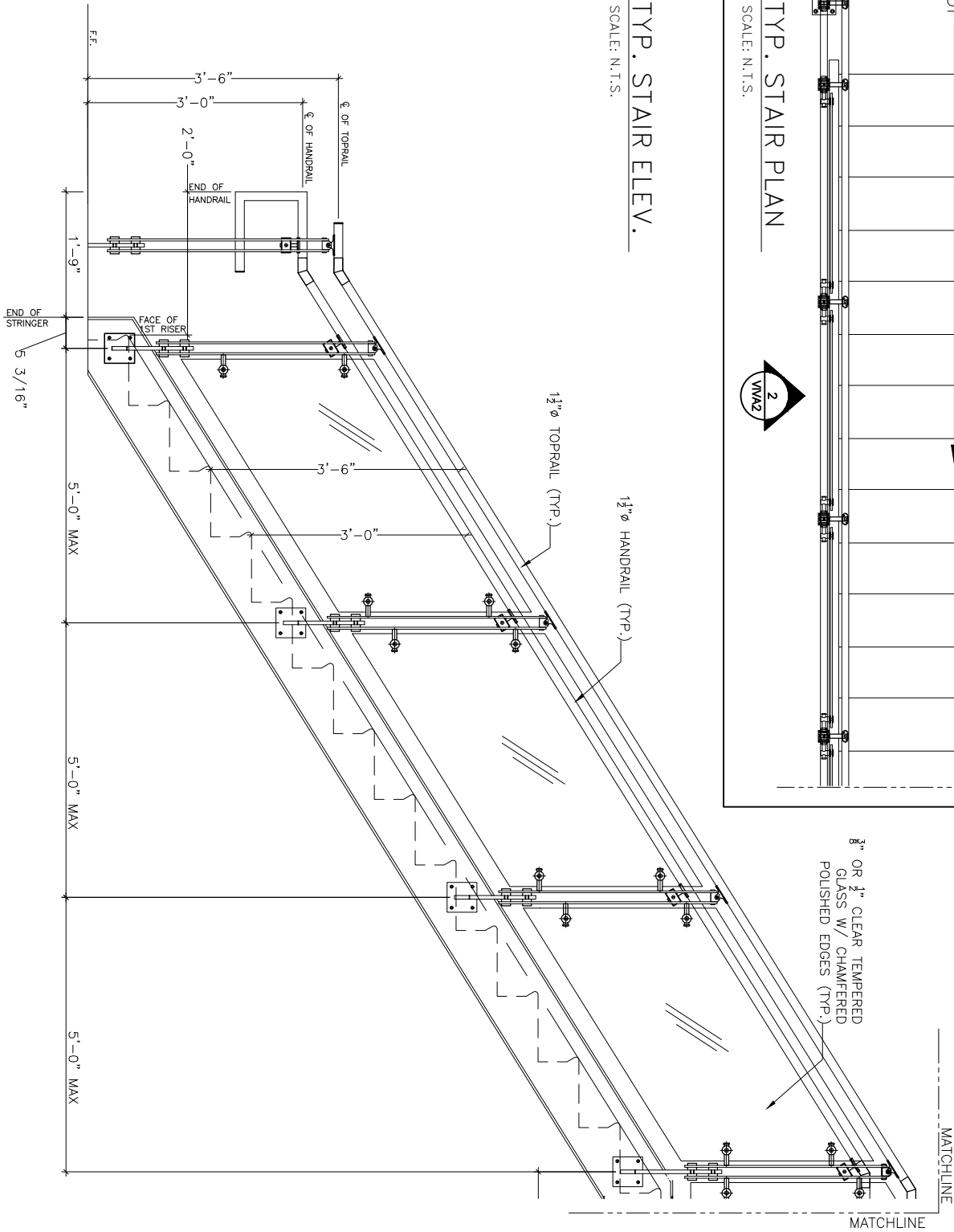
VIVA RAILINGS LLC
 650 E HWY 121 BUSINESS
 SUITE 204 LEWISVILLE, TX 75057
 PH: 972-353-8482 FAX: 972-353-0013
 email: info@vivarailings.com





2
BLADE
SCALE: N.T.S.

TYP. STAIR ELEV.

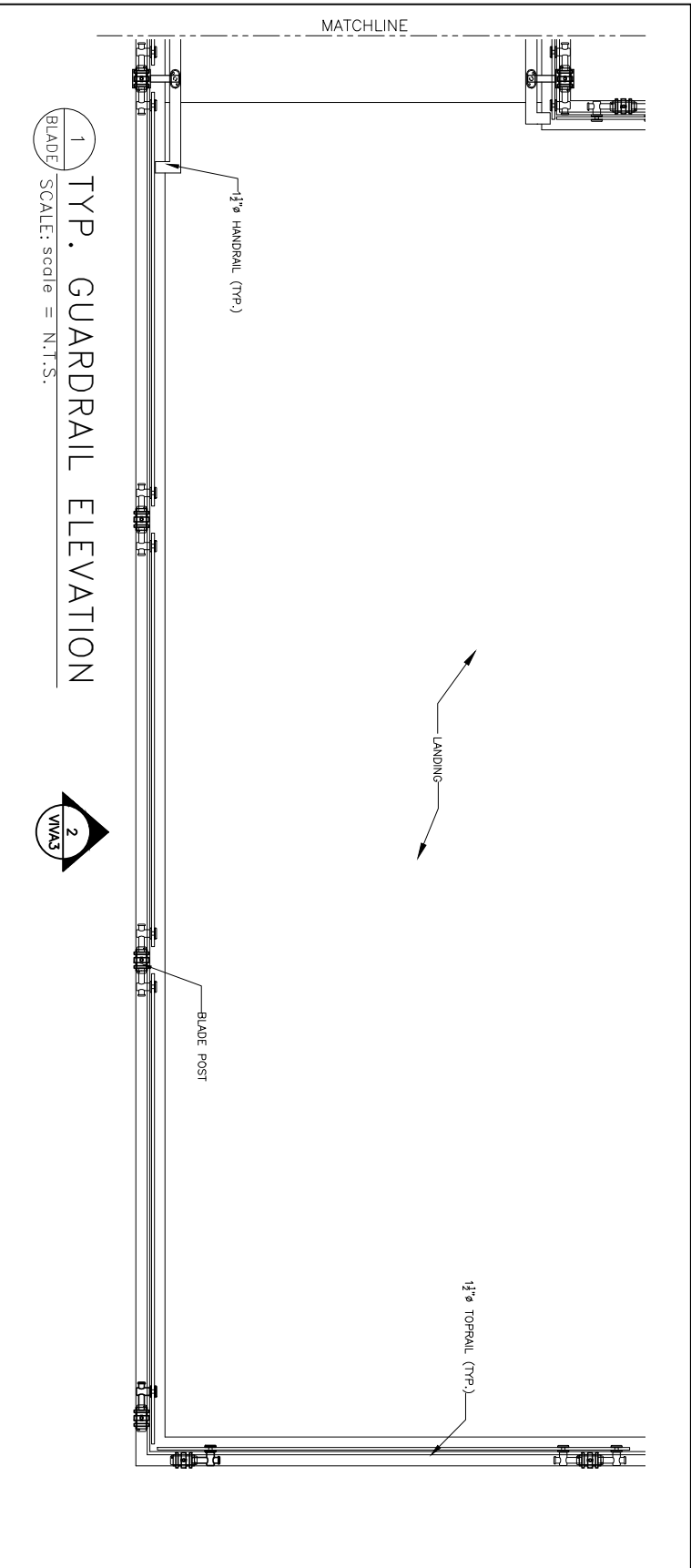
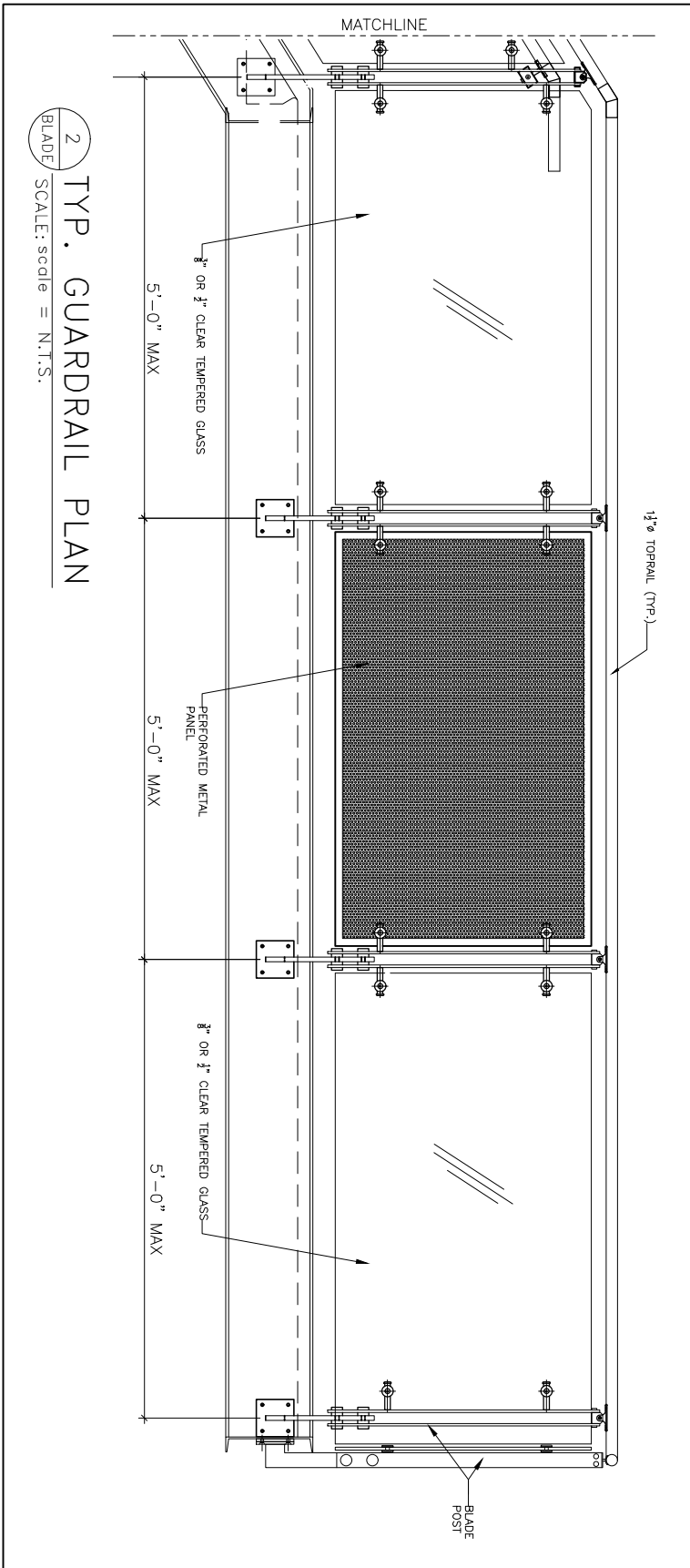


BLADE RAILING SYSTEM		
CUSTOMER NAME:	SHEET #:	TOTAL #:
	2	6
CONTACT INFORMATION:	ISSUE DATE:	
	03.22.10	

RAIL SYSTEM SPECIFICATION:
BLADE STAIR PLAN AND ELEVATION
NOTES:

VIVA RAILINGS LLC
 650 E HWY 121 BUSINESS
 SUITE 204 LEWISVILLE, TX 75057
 PH: 972-353-8482 FAX: 972-353-0013
 email: info@vivarailings.com





2 TYP. GUARDRAIL PLAN
BLADE SCALE: scale = N.T.S.

1 TYP. GUARDRAIL ELEVATION
BLADE SCALE: scale = N.T.S.



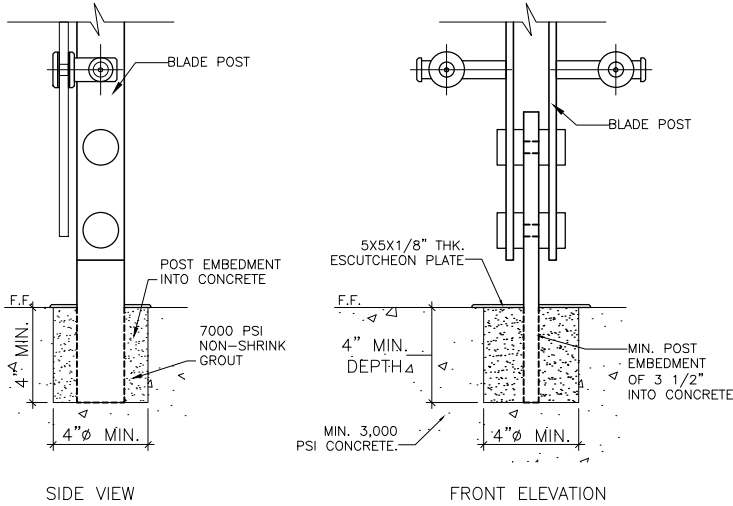
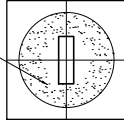
BLADE RAILING SYSTEM		
CUSTOMER NAME:	SHEET #:	TOTAL #:
	3	6
CONTACT INFORMATION:	ISSUE DATE:	
	03.22.10	

RAIL SYSTEM SPECIFICATION:
GUARDRAIL PLAN & ELEVATION
NOTES:

VIVA RAILINGS LLC
 650 E HWY 121 BUSINESS
 SUITE 204 LEWISVILLE, TX 75057
 PH: 972-353-8482 FAX: 972-353-0013
 email: info@vivarailings.com

CONCRETE MOUNTING CONDITIONS

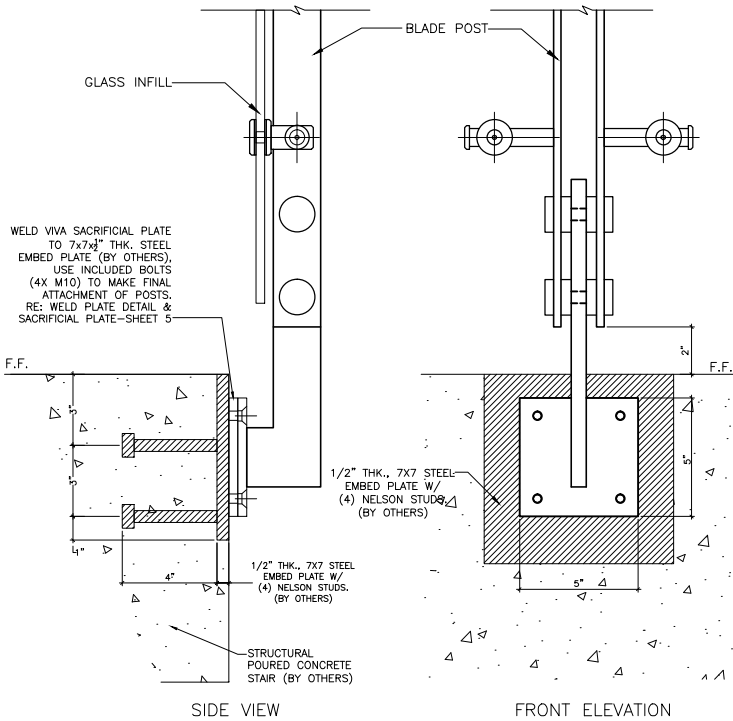
INFILL AROUND POST W/
MIN. 7,000 PSI GROUT,
1/2" MIN. CLEARANCE
B/W POST & HOLE EDGE



SIDE VIEW

FRONT ELEVATION

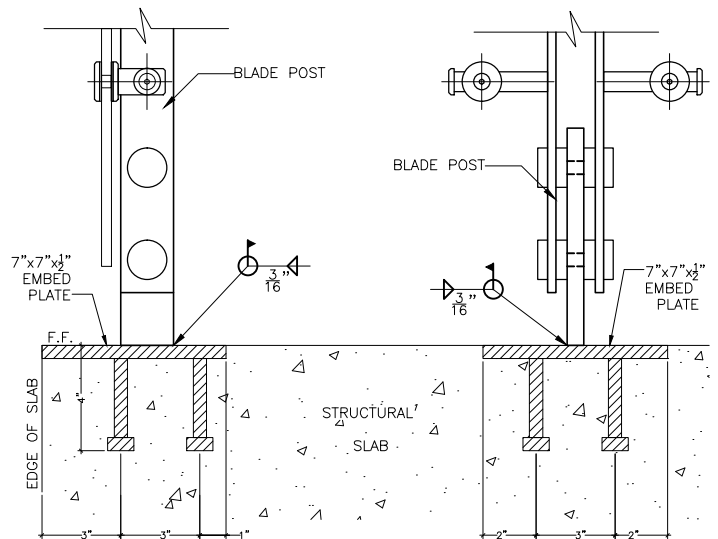
3 CORE MOUNT
BLADE SCALE=N.T.S.



SIDE VIEW

FRONT ELEVATION

1 FASCIA MOUNT
BLADE SCALE=N.T.S.



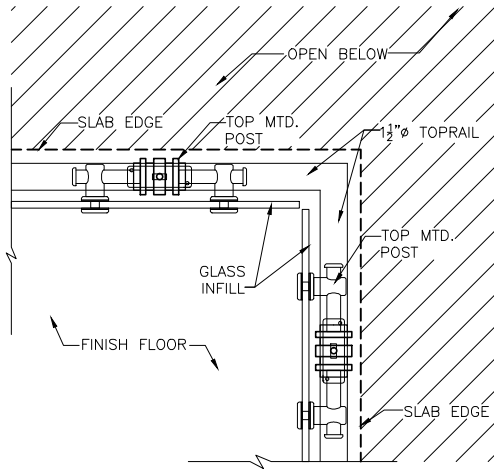
2 FLOOR MOUNT
BLADE SCALE=N.T.S.

BLADE RAILING SYSTEM		
CUSTOMER NAME:	SHEET #:	TOTAL #:
	4	6
CONTACT INFORMATION:	ISSUE DATE:	
	03.22.10	

BLADE SYSTEM SPECIFICATION:
BLADE MOUNTING DETAILS
NOTES:

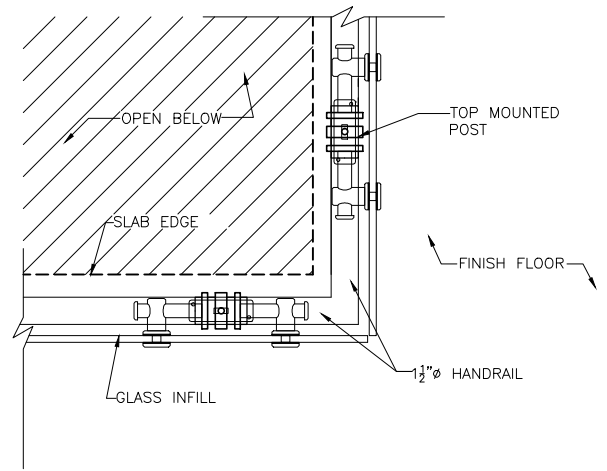
VIVA RAILINGS LLC
 650 E HWY 121 BUSINESS
 SUITE 204 LEWISVILLE, TX 75057
 PH: 972-353-8482 FAX: 972-353-0013
 email: info@vivarailings.com

TYPICAL CORNER CONDITIONS



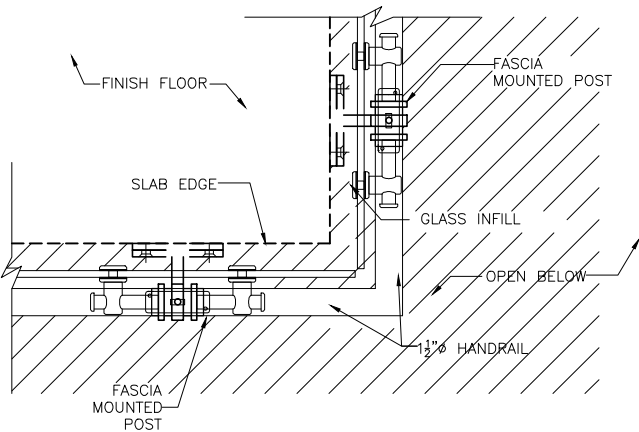
3
OUTSIDE CORNER
FLOOR MOUNTED

BLADE SCALE=N.T.S.



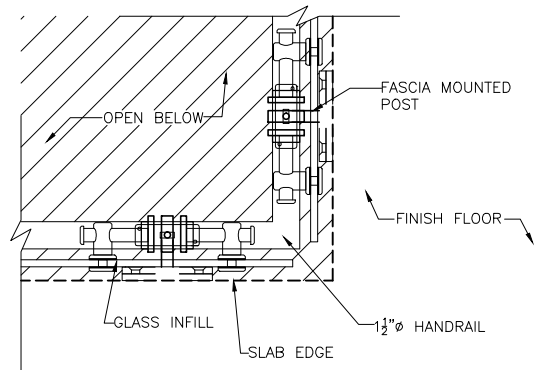
4
INSIDE CORNER
FLOOR MOUNTED

BLADE SCALE=N.T.S.



1
OUTSIDE CORNER
FASCIA MOUNTED

BLADE SCALE=N.T.S.



2
INSIDE CORNER
FASCIA MOUNTED

BLADE SCALE=N.T.S.

BLADE RAILING SYSTEM		
CUSTOMER NAME:	SHEET #:	TOTAL #:
	6	6
CONTACT INFORMATION:	ISSUE DATE:	
	03.22.10	

RAIL SYSTEM SPECIFICATION:
CORNER TRANSITIONS
NOTES:

VIVA RAILINGS LLC
 650 E HWY 121 BUSINESS
 SUITE 204 LEWISVILLE, TX 75057
 PH: 972-353-8482 FAX: 972-353-0013
 email: info@vivarailings.com

