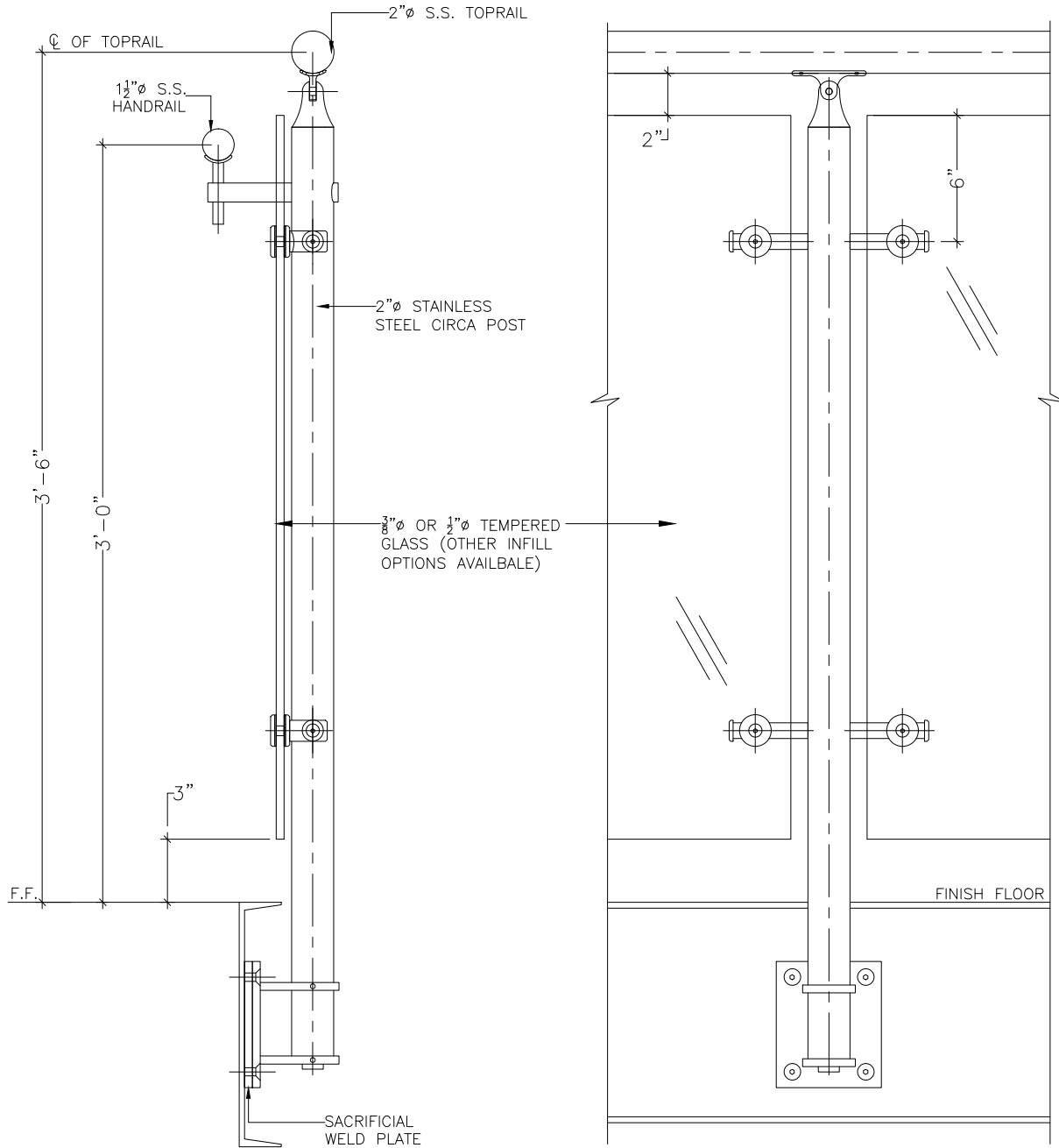


# VIVA CIRCA RAILING SYSTEM



## PRODUCT DATA

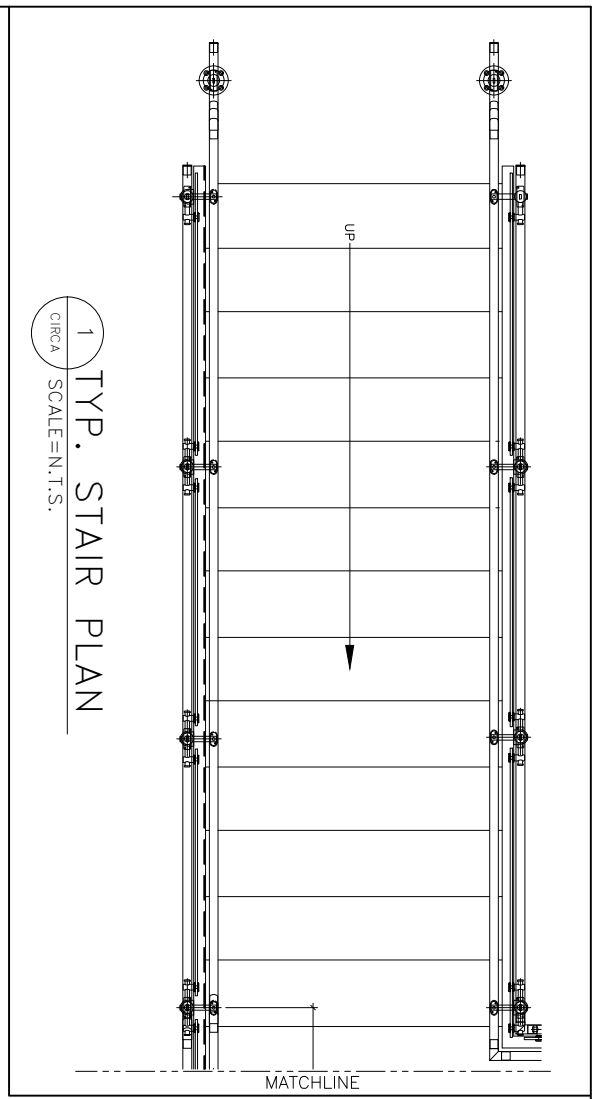
ISSUE DATE:	SHEET #:	TOTAL #:
2010	1	12

RAIL SYSTEM:

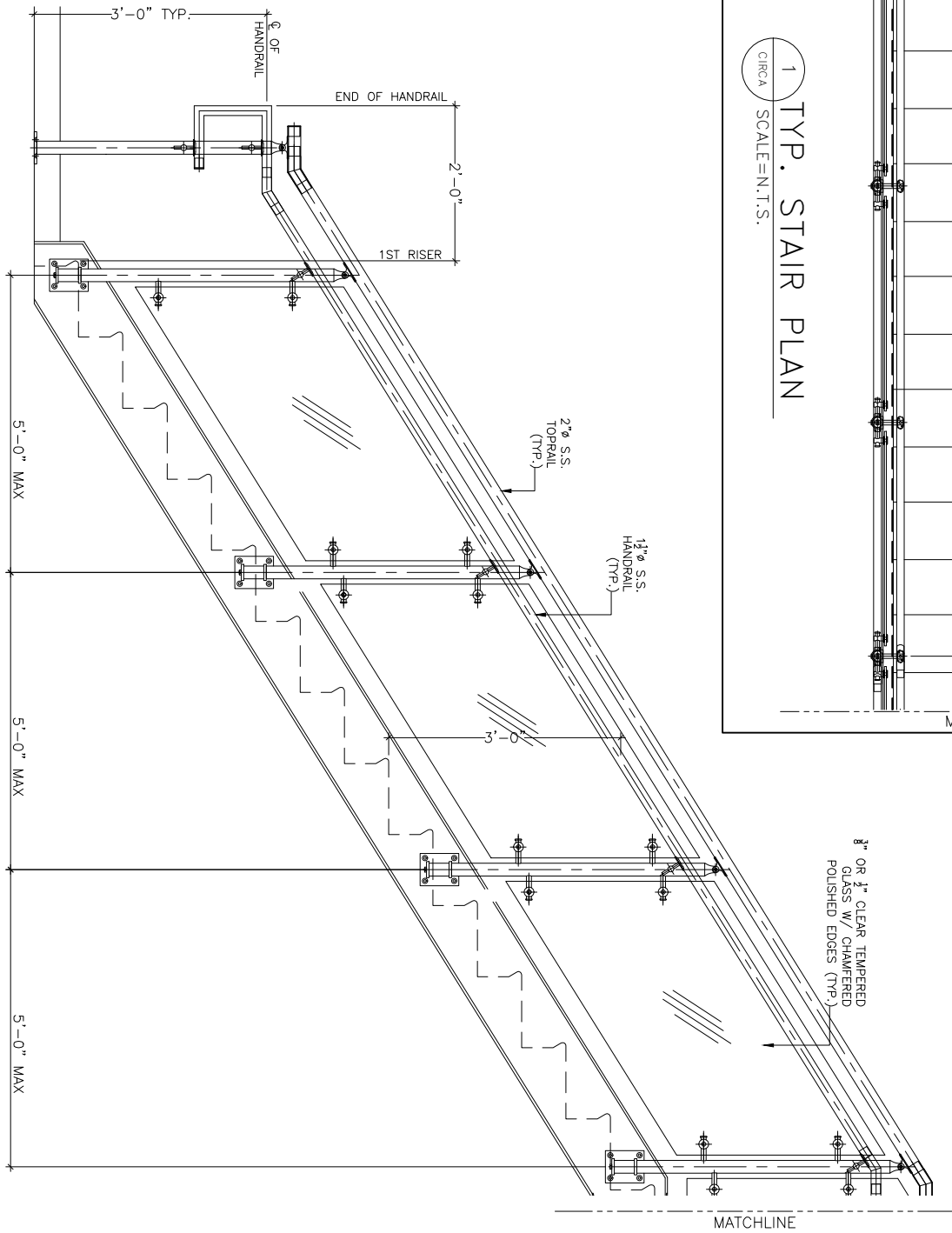
## VIVA CIRCA GLASS POST ASSEMBLY

**VIVA RAILINGS, LLC**  
 650 E HWY 121 STE. 204  
 LEWISVILLE, TX 75057  
 P: 972-353-8482  
 F: 972-353-0013  
 e: info@vivarailings.com  
 www.vivarailings.com





2 TYP. STAIR ELEV.  
SCALE=N.T.S.



PRODUCT DATA

ISSUE DATE: 2010	SHEET #: 2	TOTAL #: 12
---------------------	---------------	----------------

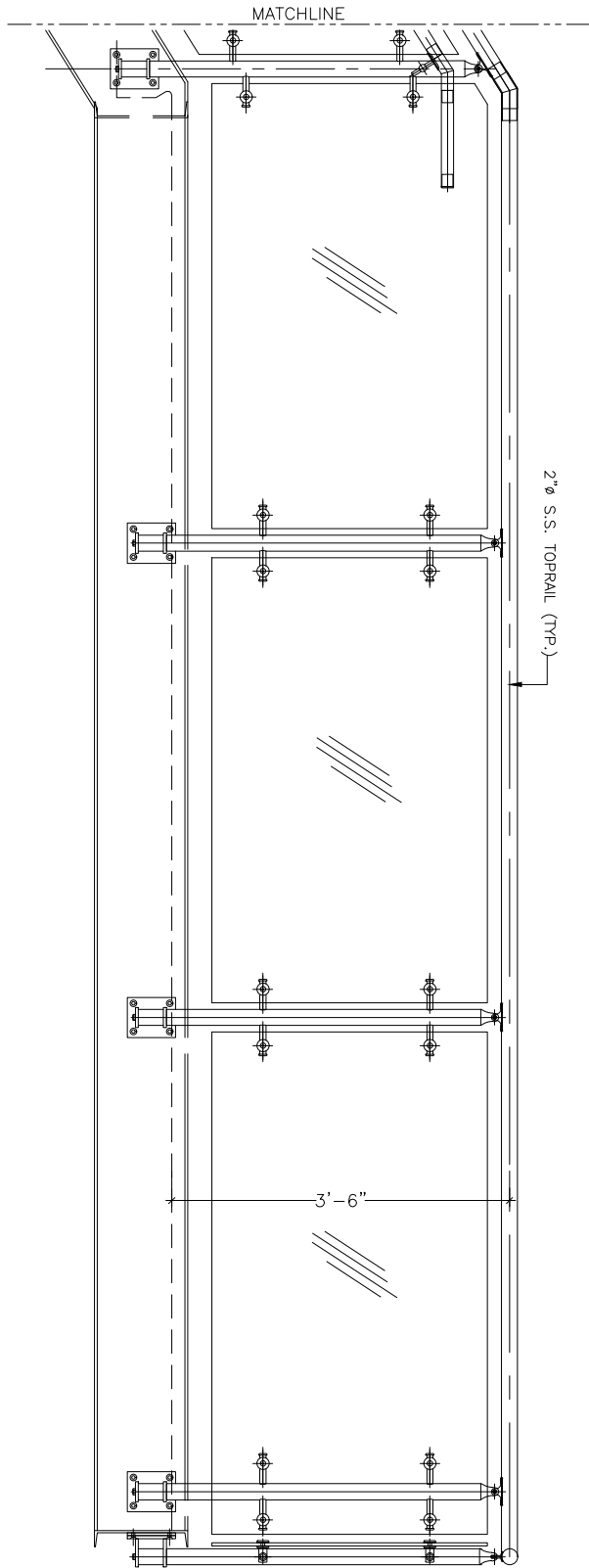
RAIL SYSTEM:

VIVA CIRCA GLASS  
STAIR PLAN & ELEV

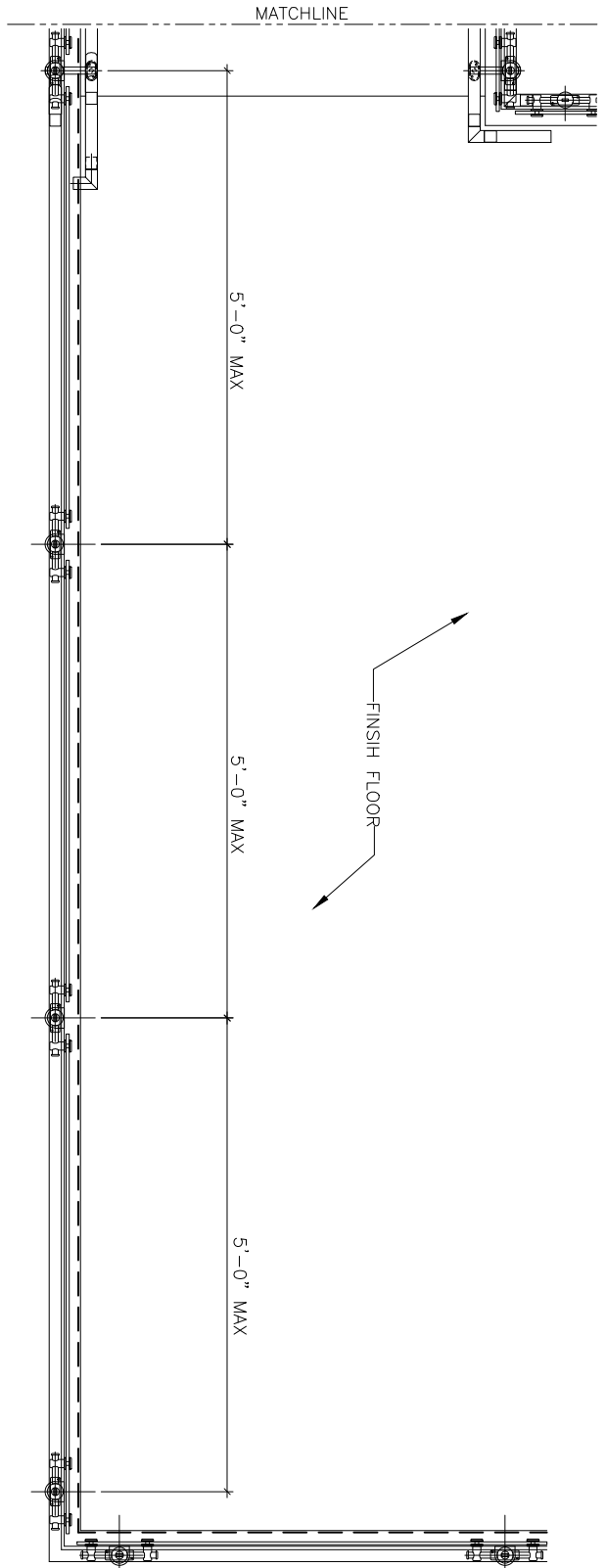
VIVA RAILINGS, LLC

650 E HWY 121 STE. 204  
LEWISVILLE, TX 75057  
P: 972-353-8482  
F: 972-353-0013  
e: info@vivarailings.com  
www.vivarailings.com





2 TYP. GUARDRAIL ELEVATION  
CIRCA SCALE=N.T.S.



1 TYP. GUARDRAIL PLAN  
CIRCA SCALE=N.T.S.

PRODUCT DATA

ISSUE DATE:	SHEET #:	TOTAL #:
2010	3	12

RAIL SYSTEM:

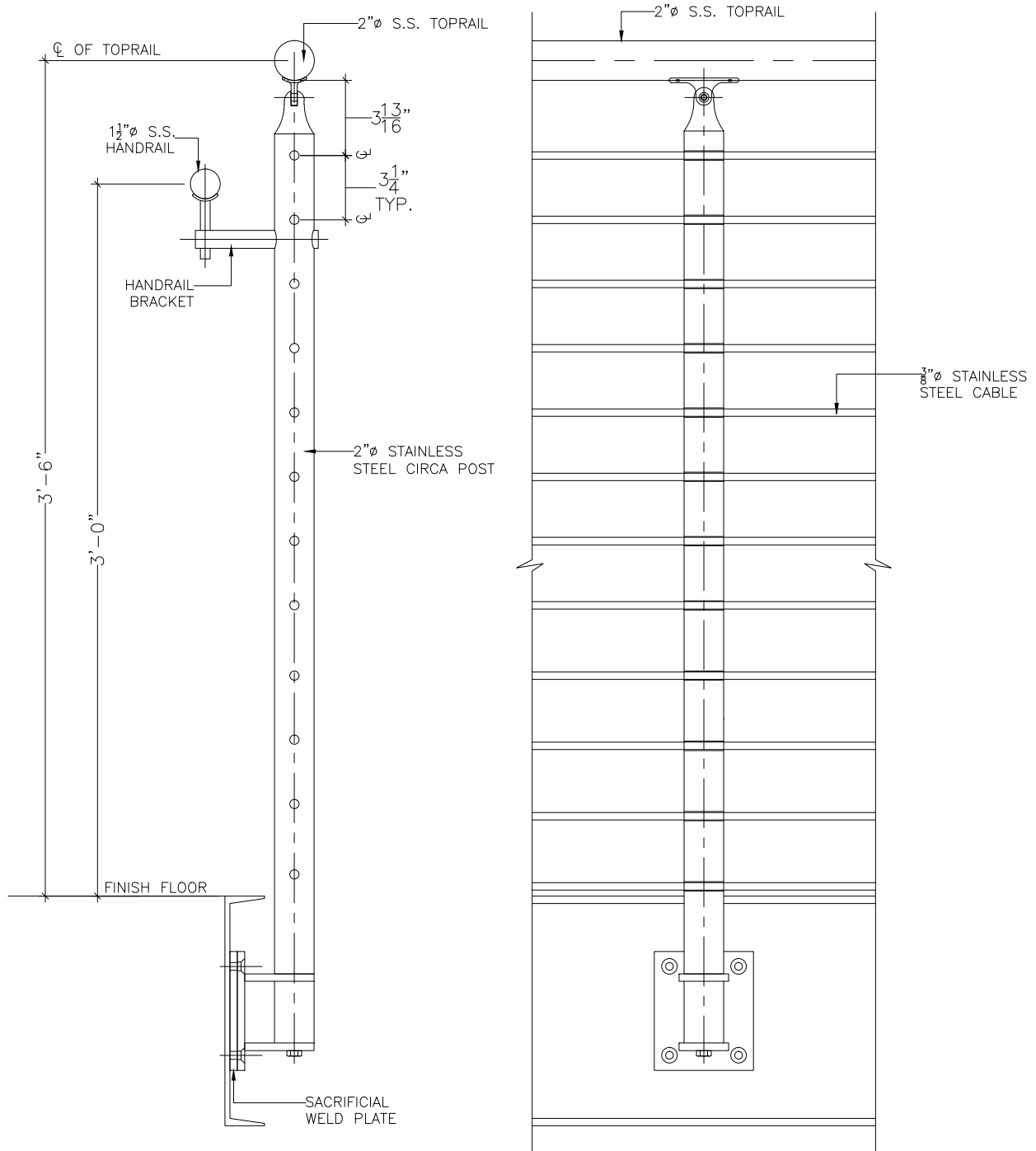
VIVA CIRCA GLASS  
GUARDRAIL PLAN & ELEV

VIVA RAILINGS, LLC

650 E HWY 121 STE. 204  
LEWISVILLE, TX 75057  
P: 972-353-8482  
F: 972-353-0013  
e: info@vivarailings.com  
www.vivarailings.com



# VIVA CIRCA RAILING SYSTEM



## PRODUCT DATA

ISSUE DATE:	SHEET #:	TOTAL #:
2010	4	12

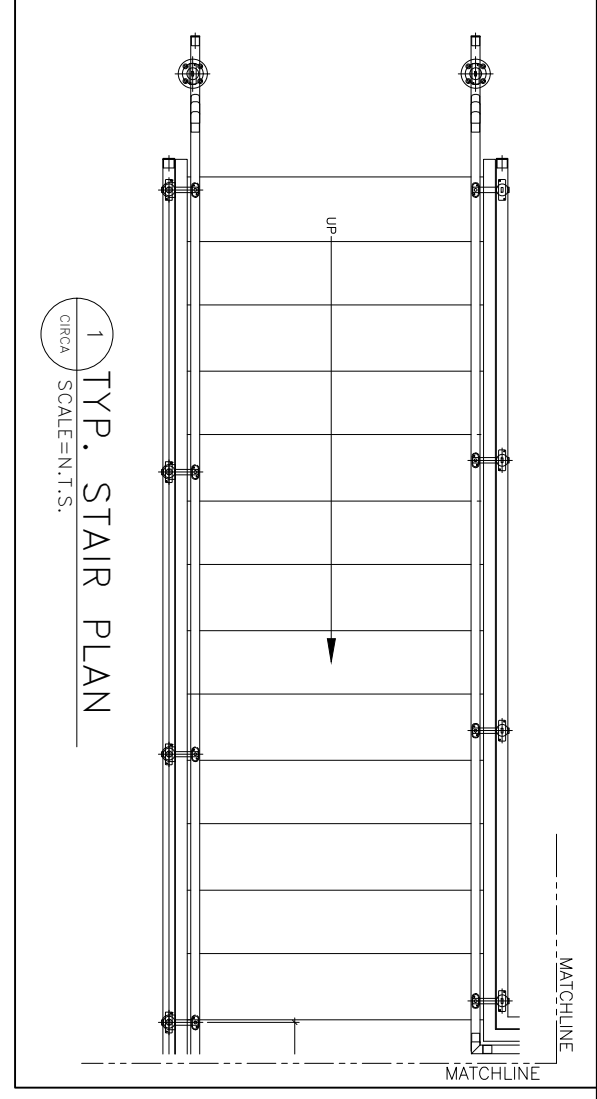
RAIL SYSTEM:

VIVA CIRCA CABLE  
POST ASSEMBLY

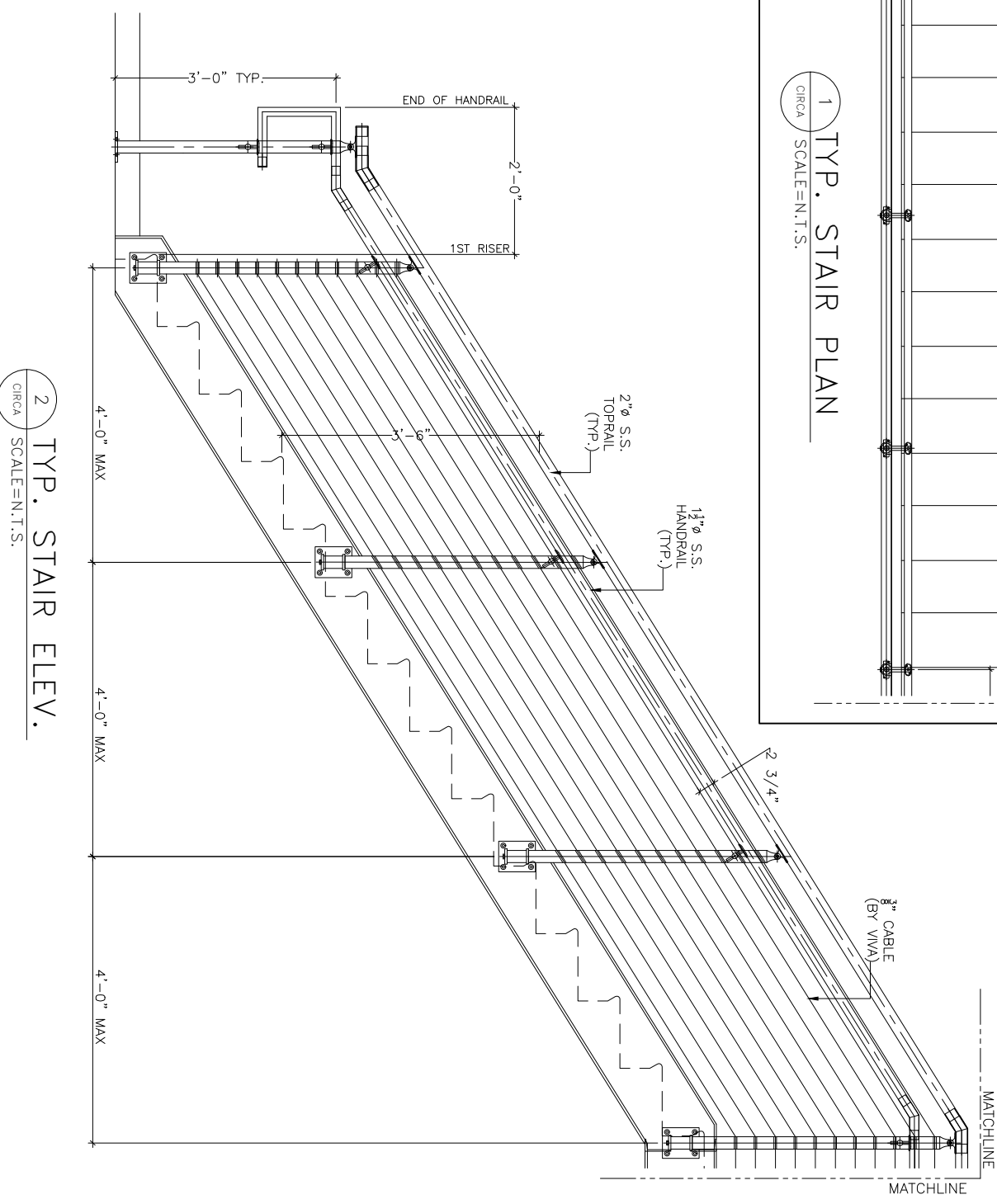
## VIVA RAILINGS, LLC

650 E HWY 121 STE. 204  
LEWISVILLE, TX 75057  
P: 972-353-8482  
F: 972-353-0013  
e: info@vivarailings.com  
www.vivarailings.com





1 TYP. STAIR PLAN  
CIRCA SCALE=N.T.S.



2 TYP. STAIR ELEV.  
CIRCA SCALE=N.T.S.

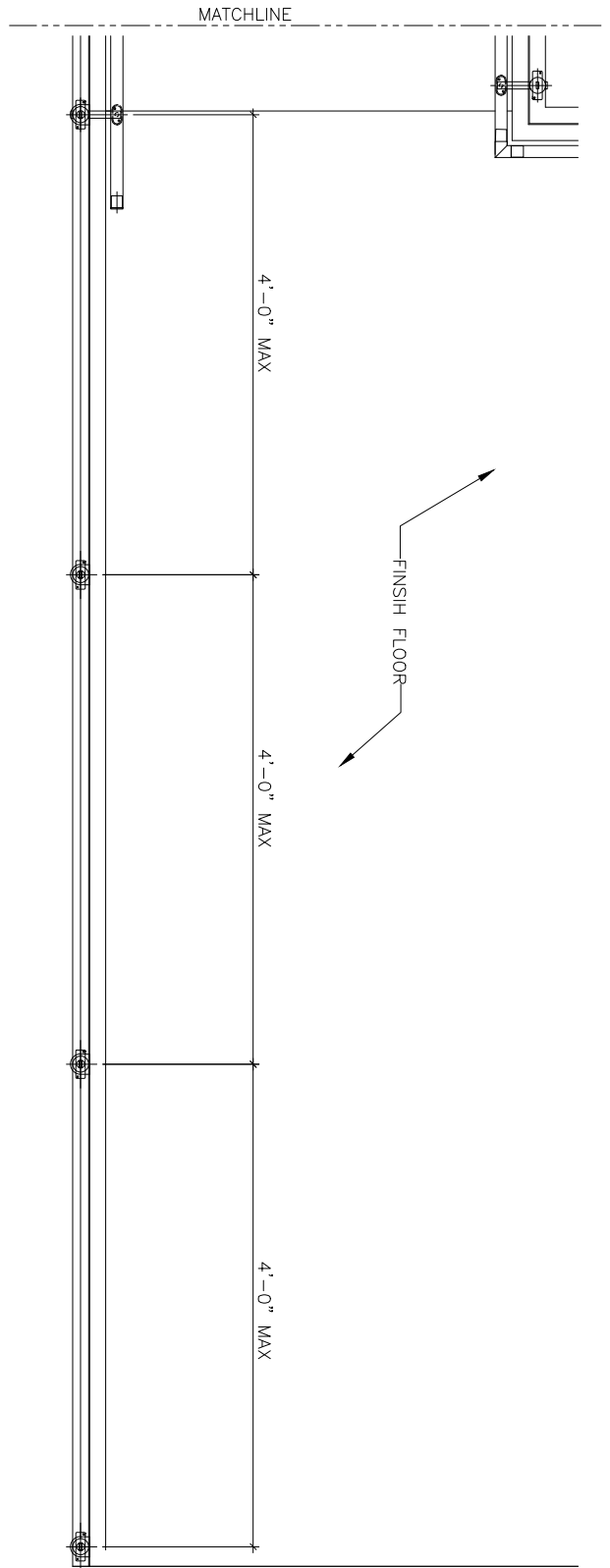
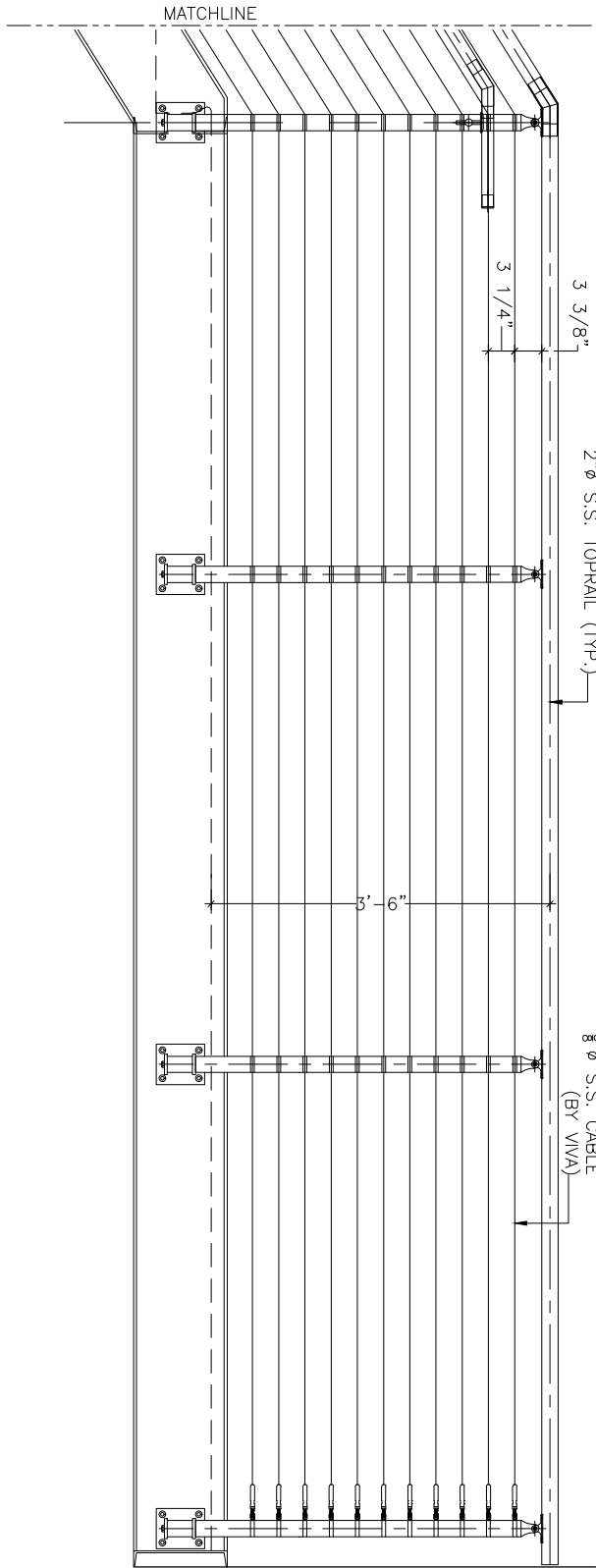
PRODUCT DATA

ISSUE DATE:	SHEET #:	TOTAL #:
2010	5	12

RAIL SYSTEM: VIVA CIRCA CABLE STAIR PLAN & ELEV

VIVA RAILINGS, LLC  
650 E HWY 121 STE. 204  
LEWISVILLE, TX 75057  
P: 972-353-8482  
F: 972-353-0013  
e: info@vivarailings.com  
www.vivarailings.com





2 TYP. GUARDRAIL ELEV.  
CIRCA SCALE=N.T.S.

1 TYP. GUARDRAIL ELEV.  
CIRCA SCALE=N.T.S.

PRODUCT DATA

ISSUE DATE:	SHEET #:	TOTAL #:
2010	6	12

RAIL SYSTEM:

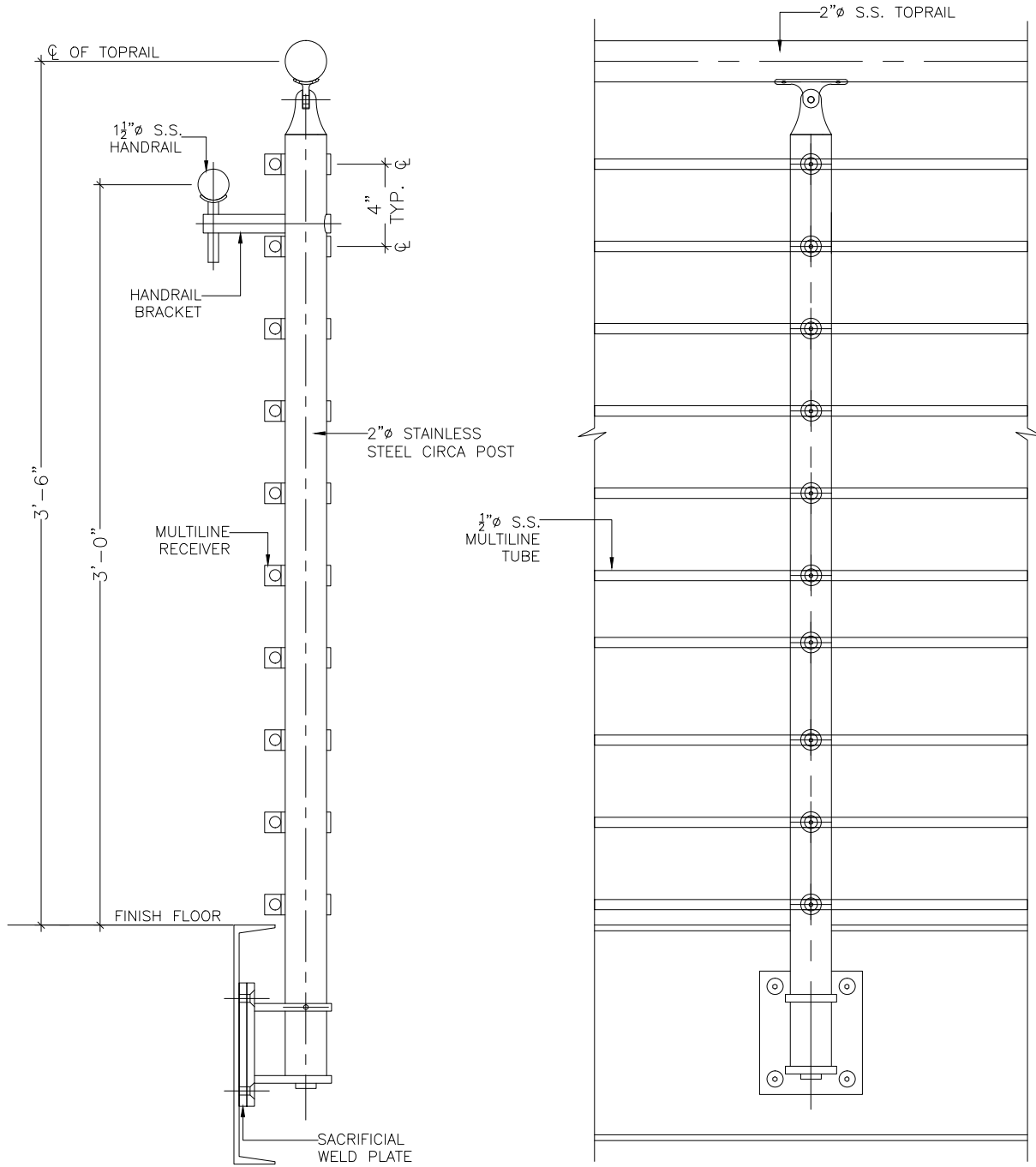
VIVA CIRCA CABLE  
GUARDRAIL PLAN & ELEV

VIVA RAILINGS, LLC

650 E HWY 121 STE. 204  
LEWISVILLE, TX 75057  
P: 972-353-8482  
F: 972-353-0013  
e: info@vivarailings.com  
www.vivarailings.com



# VIVA CIRCA RAILING SYSTEM



## PRODUCT DATA

ISSUE DATE:	SHEET #:	TOTAL #:
2010	7	12

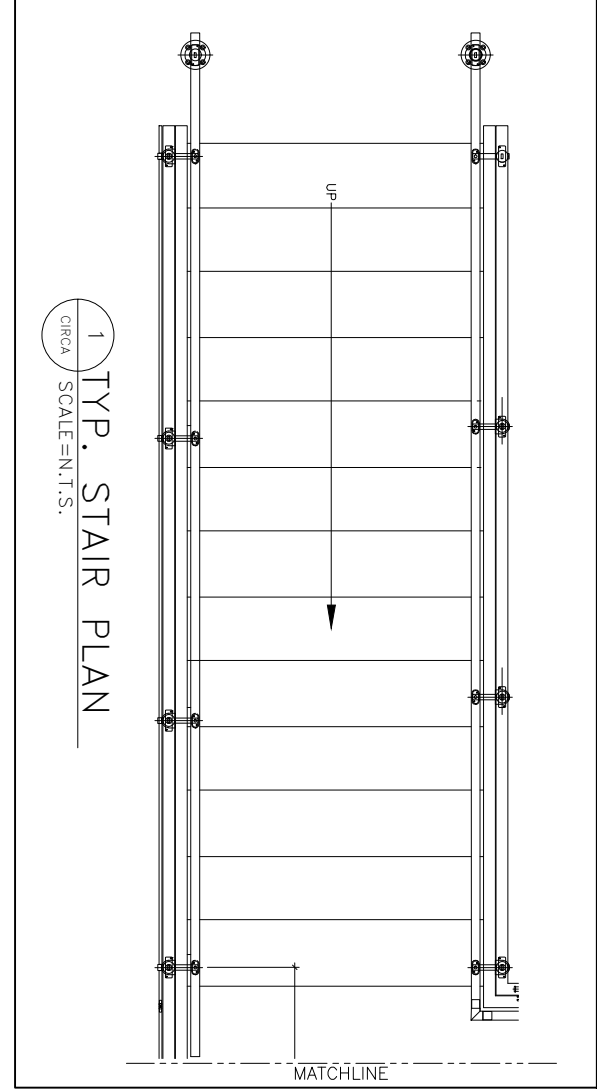
RAIL SYSTEM:

VIVA CIRCA MULTILINE  
POST ASSEMBLY

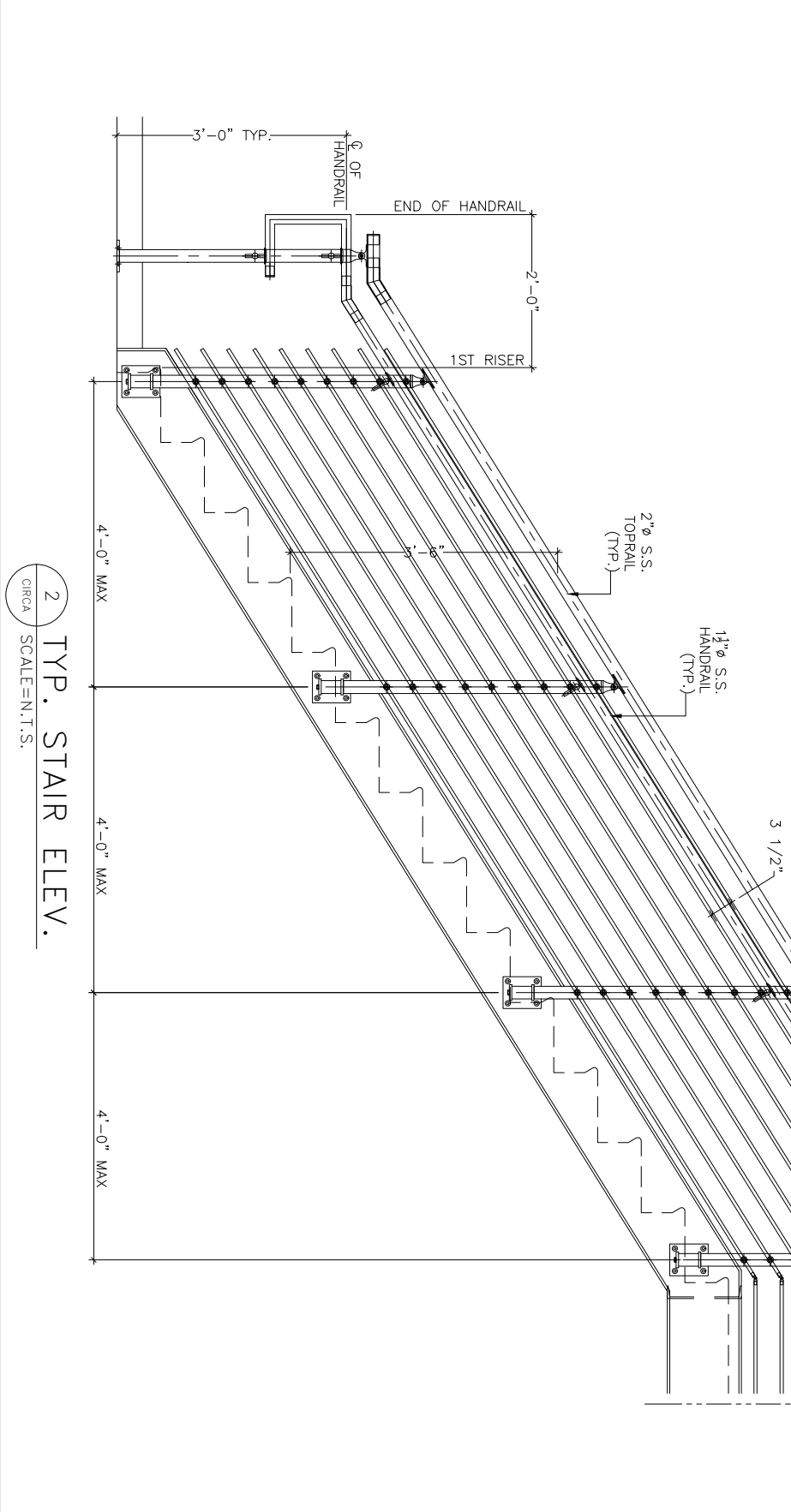
VIVA RAILINGS, LLC

650 E HWY 121 STE. 204  
LEWISVILLE, TX 75057  
P: 972-353-8482  
F: 972-353-0013  
e: info@vivarailings.com  
www.vivarailings.com





1 TYP. STAIR PLAN  
CIRCA SCALE=N.T.S.



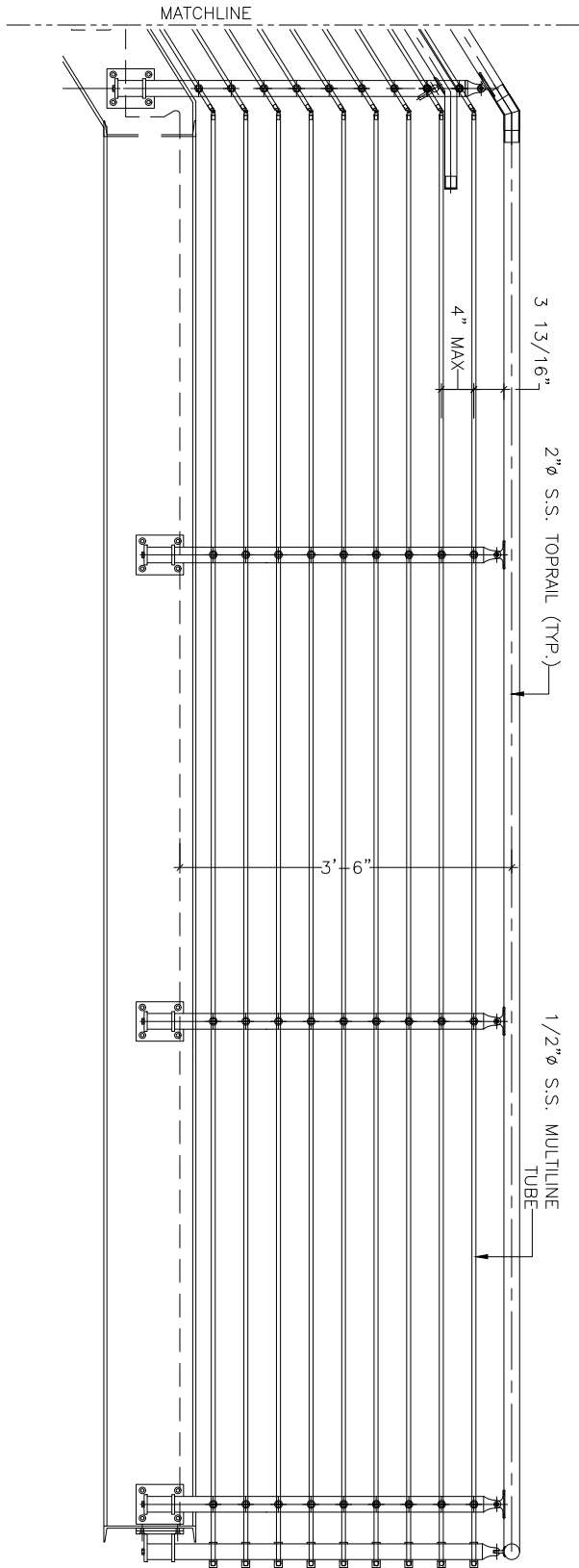
2 TYP. STAIR ELEV.  
CIRCA SCALE=N.T.S.

PRODUCT DATA		
ISSUE DATE:	SHEET #:	TOTAL #:
2010	8	12

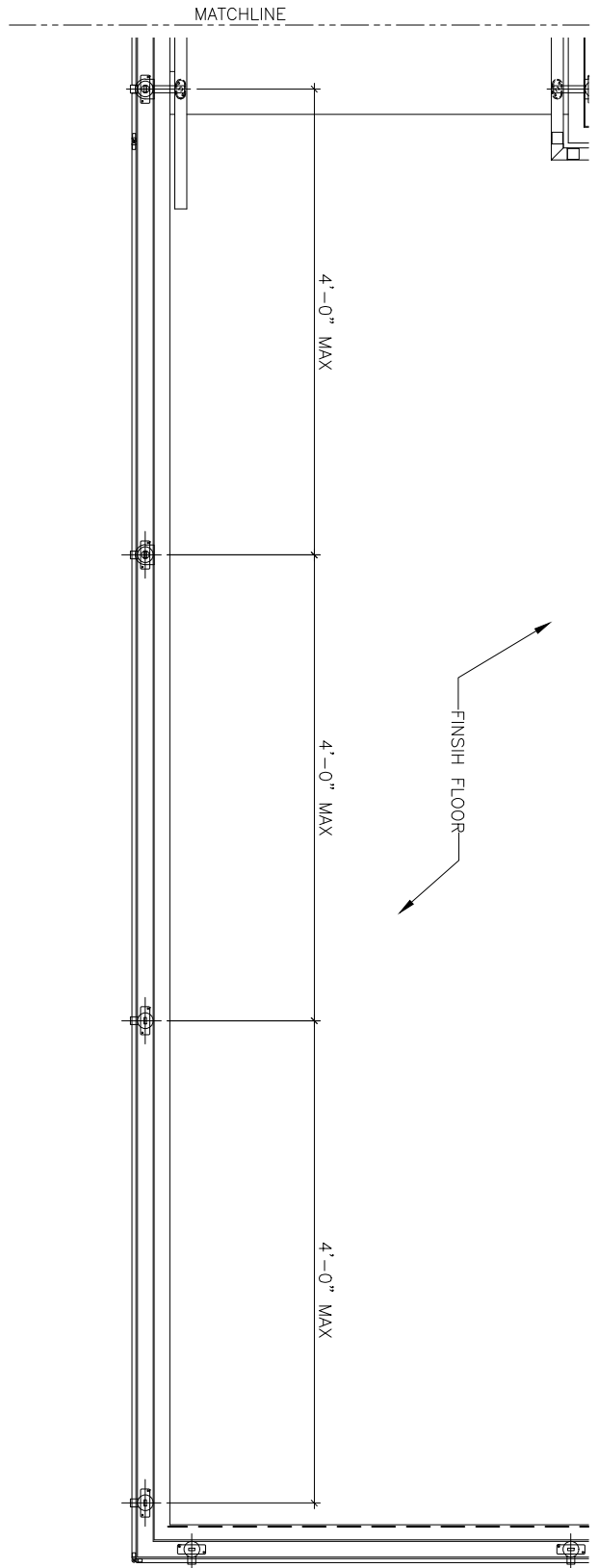
RAIL SYSTEM:  
**VIVA CIRCA MULTILINE**  
 STAIR PLAN & ELEV

**VIVA RAILINGS, LLC**  
 650 E HWY 121 STE. 204  
 LEWISVILLE, TX 75057  
 P: 972-353-8482  
 F: 972-353-0013  
 e: info@vivarailings.com  
 www.vivarailings.com





2 TYP. GUARDRAIL ELEV.  
CIRCA SCALE=N.T.S.



1 TYP. GUARDRAIL ELEV.  
CIRCA SCALE=N.T.S.

PRODUCT DATA

ISSUE DATE:	SHEET #:	TOTAL #:
2010	9	12

RAIL SYSTEM:

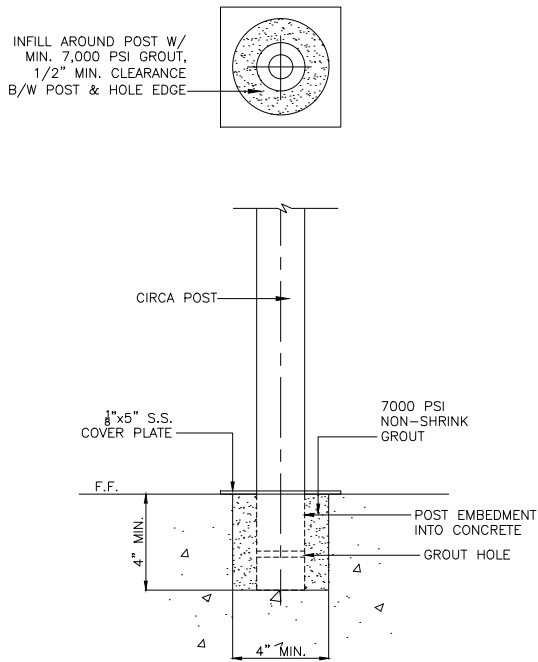
VIVA CIRCA MULTILINE  
GUARDRAIL PLAN & ELEV

VIVA RAILINGS, LLC

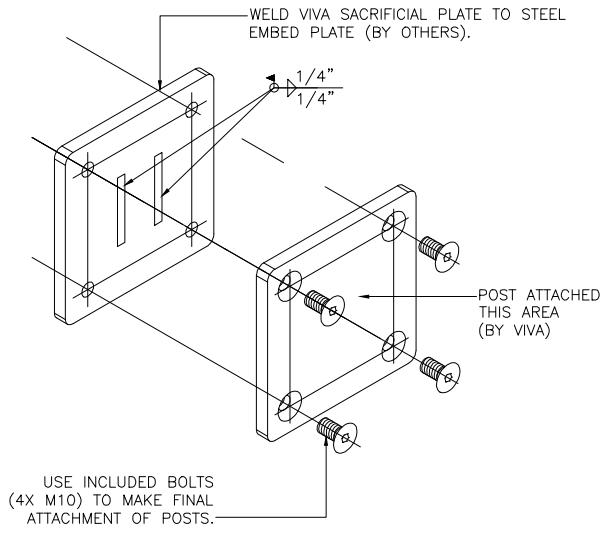
650 E HWY 121 STE. 204  
LEWISVILLE, TX 75057  
P: 972-353-8482  
F: 972-353-0013  
e: info@vivarailings.com  
www.vivarailings.com



# CONCRETE APPLICATIONS

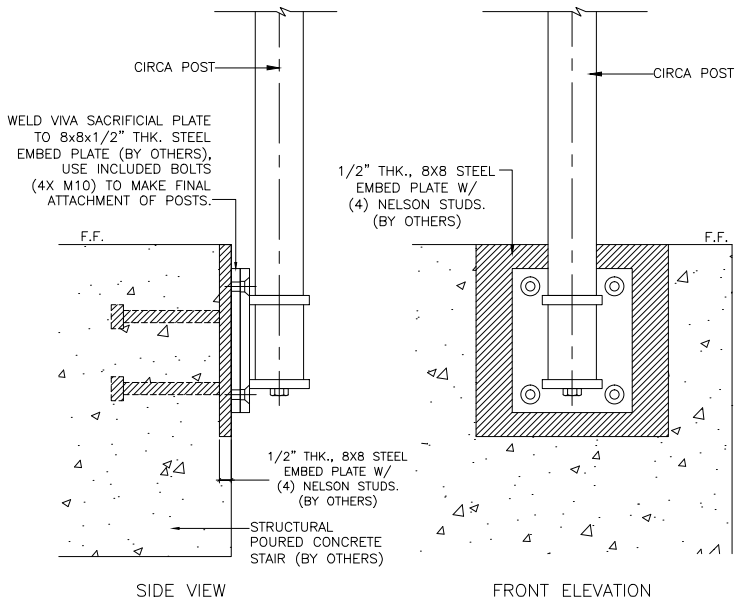


**3 CORE MOUNT**  
CIRCA SCALE=NOT TO SCALE

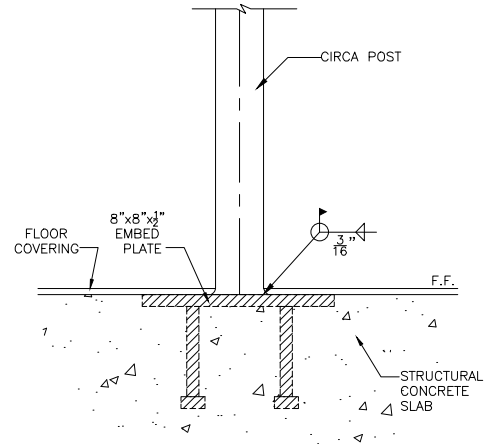


\*DETAIL APPLIES TO POST ATTACHED TO STEEL ALSO\*

**4 WELD PLATE DETAIL**  
CIRCA SCALE=NOT TO SCALE



**2 FASCIA MOUNT**  
CIRCA SCALE=NOT TO SCALE



**1 FLOOR MOUNT**  
CIRCA SCALE=NOT TO SCALE

## PRODUCT DATA

ISSUE DATE:	SHEET #:	TOTAL #:
2010	10	12

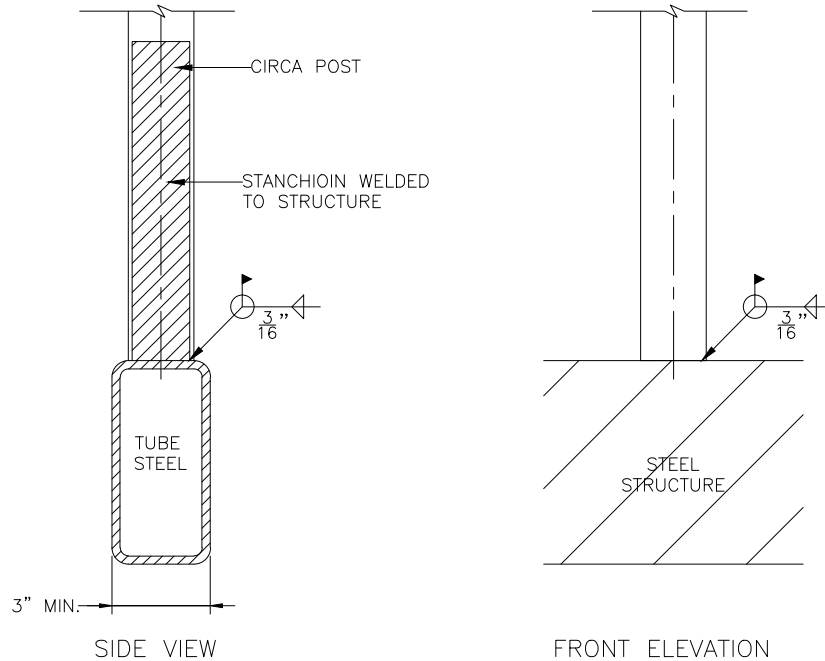
RAIL SYSTEM:

VIVA CIRCA  
MOUNTING OPTIONS

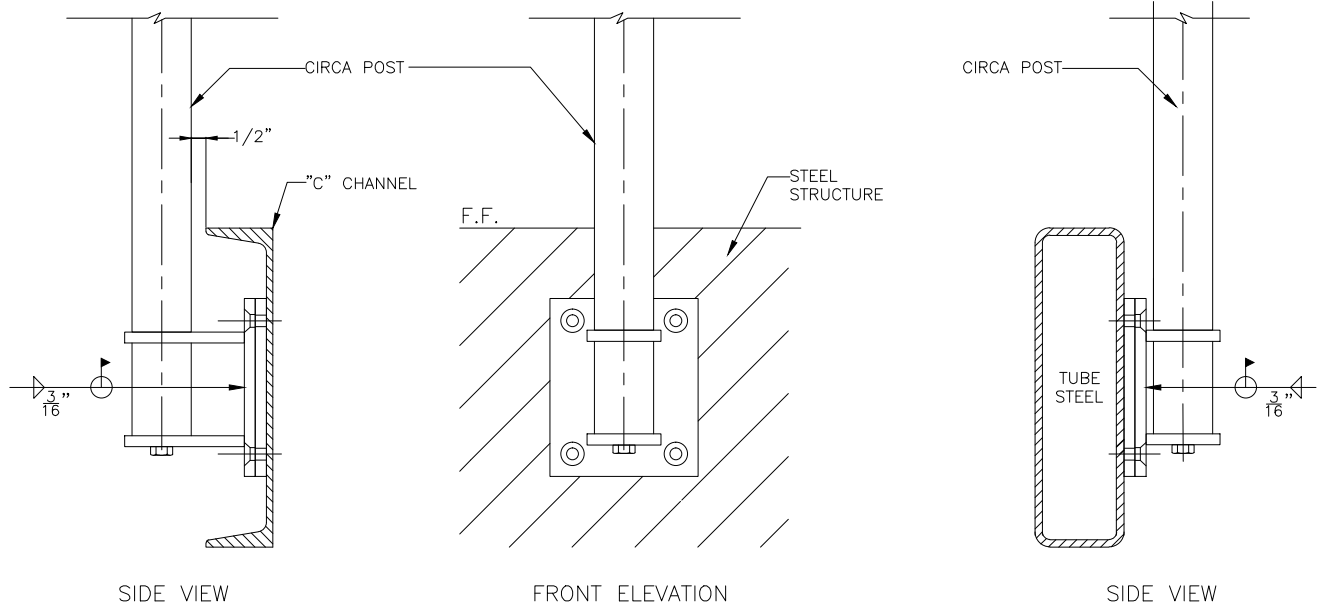
VIVA RAILINGS, LLC  
650 E HWY 121 STE. 204  
LEWISVILLE, TX 75057  
P: 972-353-8482  
F: 972-353-0013  
e: info@vivarailings.com  
www.vivarailings.com



# STEEL APPLICATIONS



2 TOP MOUNT  
CIRCA SCALE=N.T.S.



1 FASCIA MOUNT  
CIRCA SCALE=N.T.S.

## PRODUCT DATA

ISSUE DATE:	SHEET #:	TOTAL #:
2010	11	12

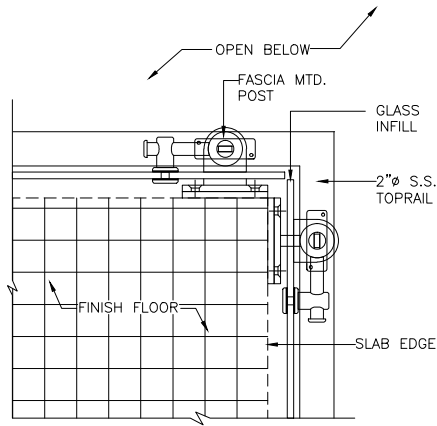
RAIL SYSTEM:

VIVA CIRCA  
MOUNTING OPTIONS

VIVA RAILINGS, LLC  
650 E HWY 121 STE. 204  
LEWISVILLE, TX 75057  
P: 972-353-8482  
F: 972-353-0013  
e: info@vivarailings.com  
www.vivarailings.com

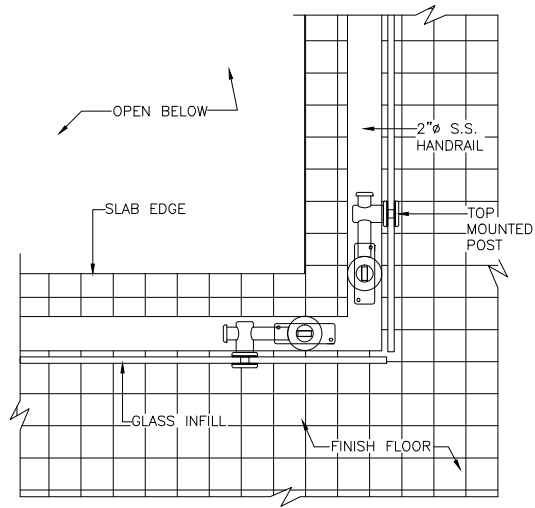


# TYPICAL CORNER CONDITIONS



2  
CIRCA  
SCALE=N.T.S.

OUTSIDE CORNER  
FASCIA MOUNTED



1  
CIRCA  
SCALE=N.T.S.

INSIDE CORNER  
FLOOR MOUNTED

## PRODUCT DATA

ISSUE DATE:	SHEET #:	TOTAL #:
2010	12	12

RAIL SYSTEM:

VIVA CIRCA  
CORNER CONDITONS

VIVA RAILINGS, LLC

650 E HWY 121 STE. 204  
LEWISVILLE, TX 75057  
P: 972-353-8482  
F: 972-353-0013  
e: info@vivarailings.com  
www.vivarailings.com

