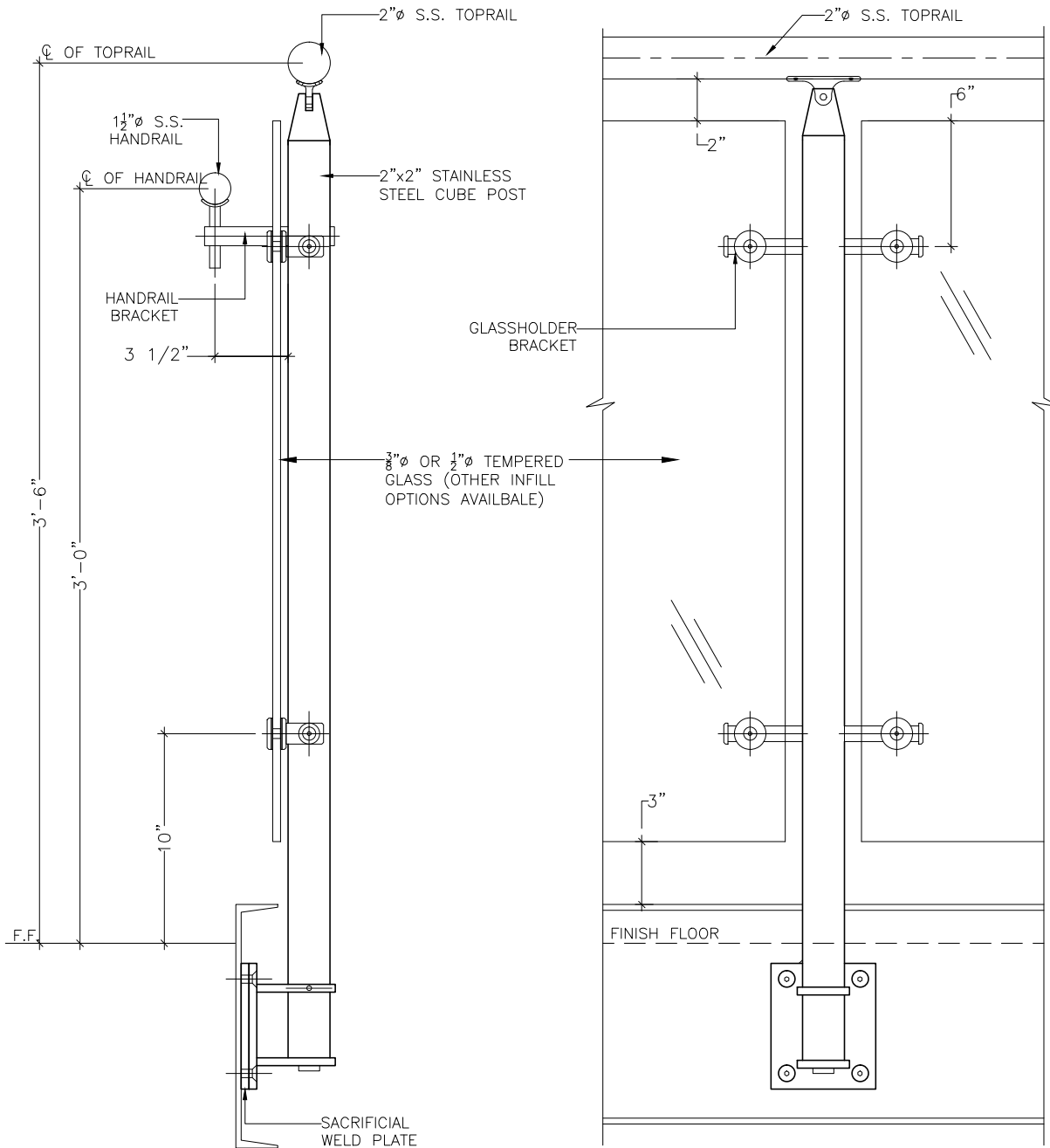


# VIVA CUBE RAILING SYSTEM



## PRODUCT DATA

ISSUE DATE:	SHEET #:	TOTAL #:
2010	1	12

RAIL SYSTEM:

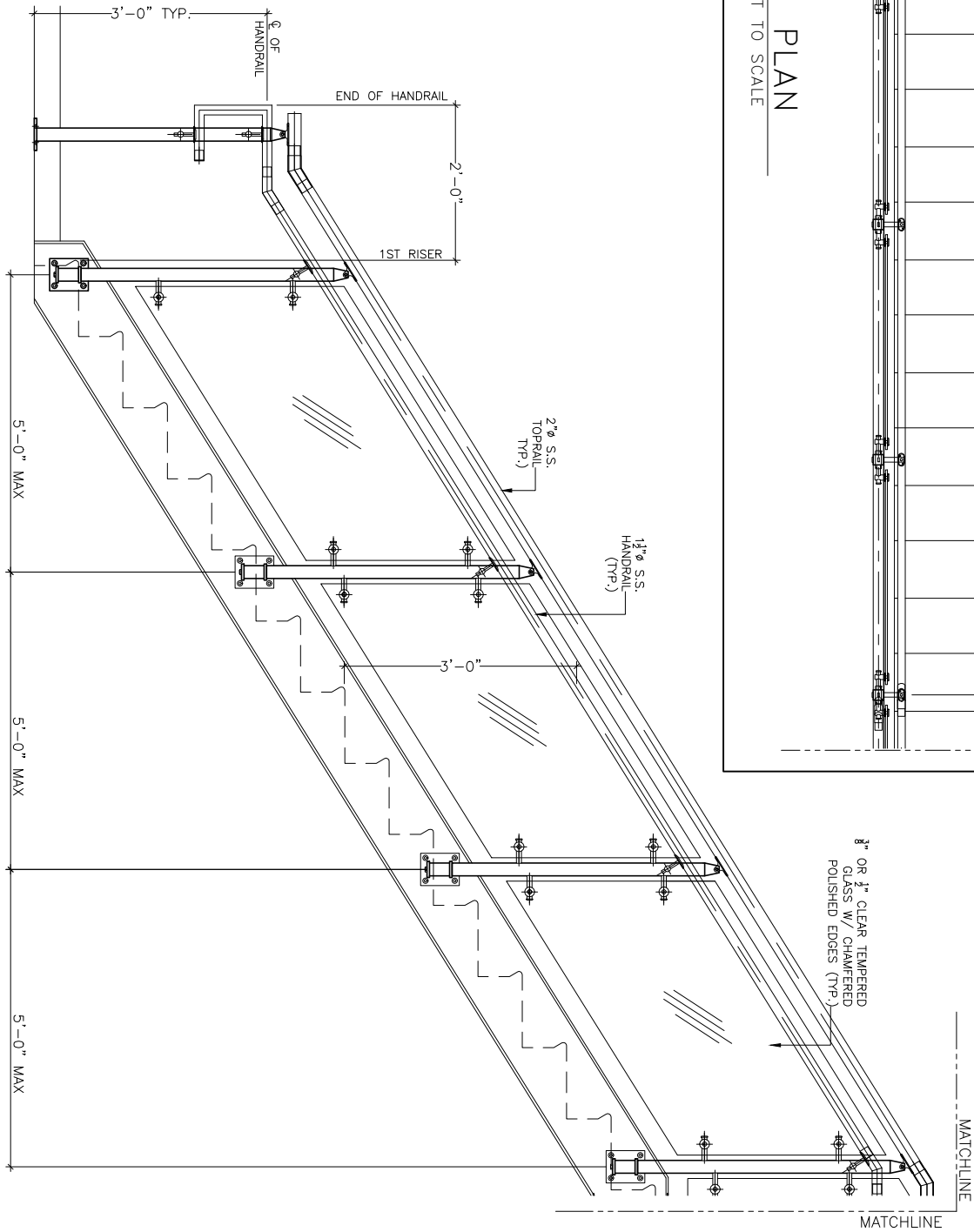
VIVA CUBE GLASS  
POST ASSEMBLY

## VIVA RAILINGS, LLC

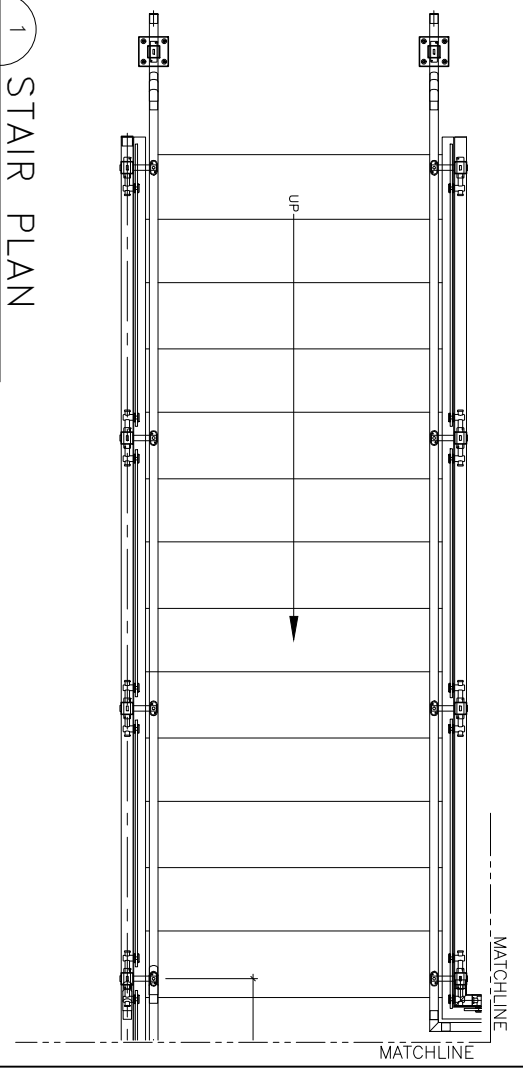
650 E HWY 121 STE. 204  
LEWISVILLE, TX 75057  
P: 972-353-8482  
F: 972-353-0013  
e: info@vivarailings.com  
www.vivarailings.com



1  
CUBE  
STAIR ELEV.  
SCALE=NOT TO SCALE



1  
CUBE  
STAIR PLAN  
SCALE=NOT TO SCALE

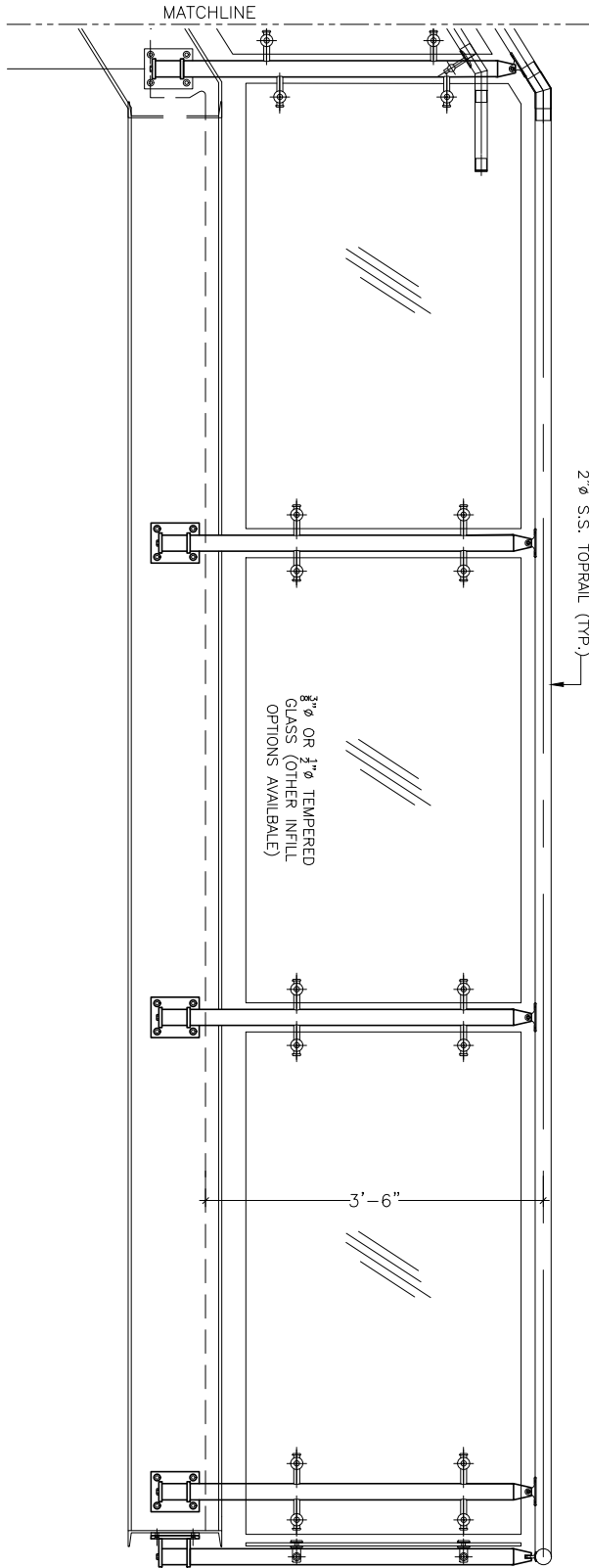


PRODUCT DATA		
ISSUE DATE:	SHEET #:	TOTAL #:
2010	2	12

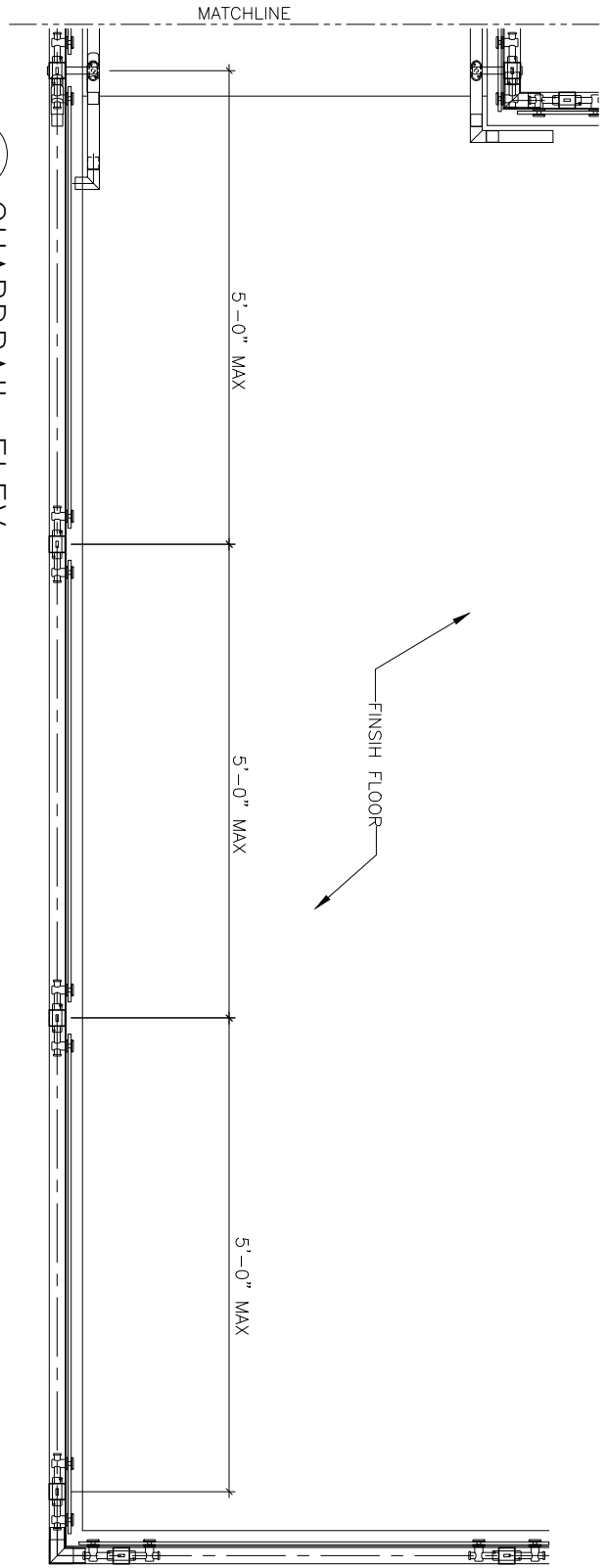
RAIL SYSTEM:  
**VIVA CUBE GLASS  
 STAIR PLAN & ELEV.**

**VIVA RAILINGS, LLC**  
 650 E HWY 121 STE. 204  
 LEWISVILLE, TX 75057  
 P: 972-353-8482  
 F: 972-353-0013  
 e: info@vivarailings.com  
 www.vivarailings.com





2 GUARDRAIL PLAN  
 CUBE SCALE=NOT TO SCALE



1 GUARDRAIL ELEV.  
 CUBE SCALE=NOT TO SCALE

PRODUCT DATA

ISSUE DATE: 2010	SHEET #: 3	TOTAL #: 12
---------------------	---------------	----------------

RAIL SYSTEM:

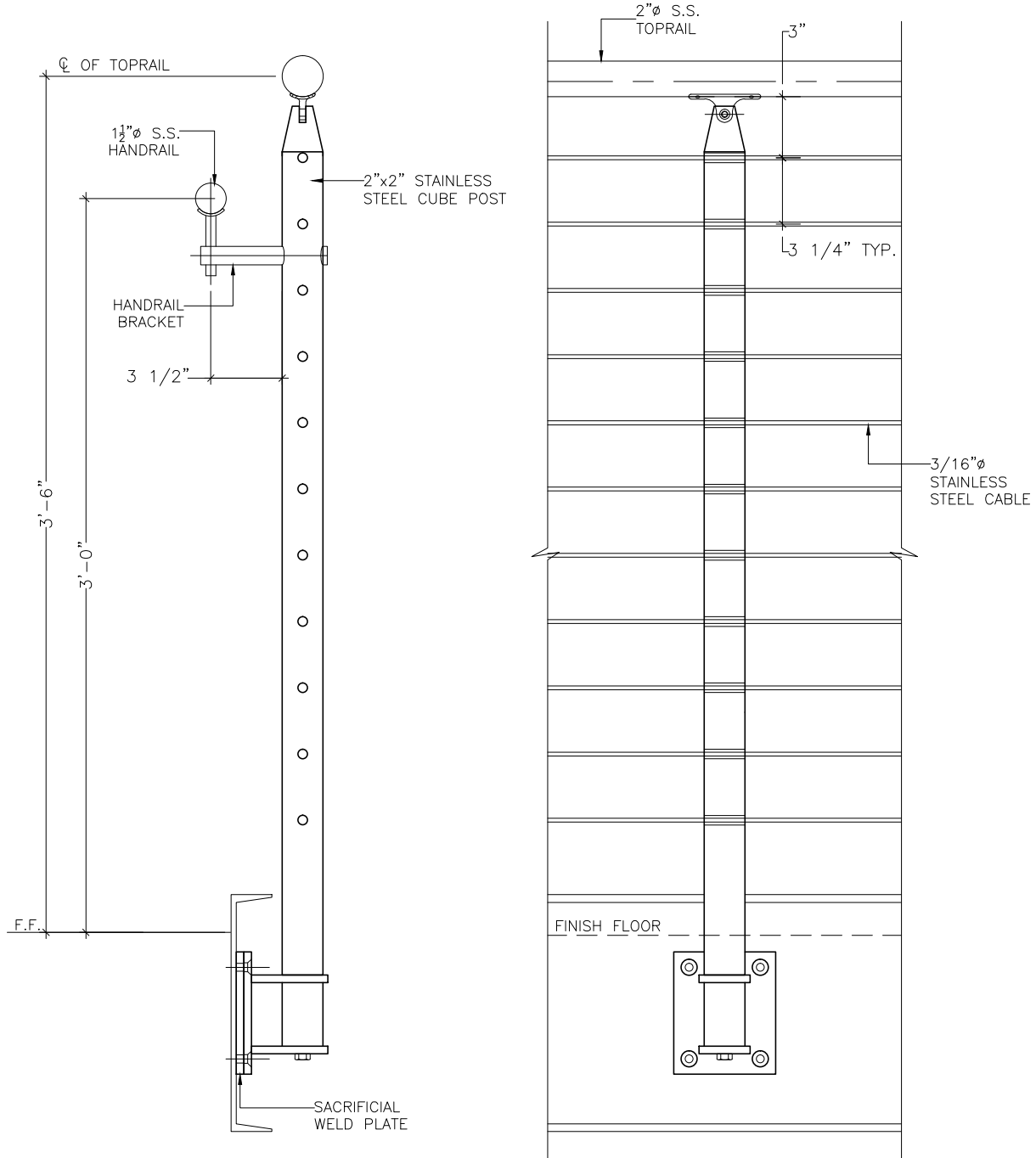
VIVA CUBE GLASS  
 GUARDRAIL PLAN & ELEV

VIVA RAILINGS, LLC

650 E HWY 121 STE. 204  
 LEWISVILLE, TX 75057  
 P: 972-353-8482  
 F: 972-353-0013  
 e: info@vivarailings.com  
 www.vivarailings.com



# VIVA CUBE RAILING SYSTEM



## PRODUCT DATA

ISSUE DATE:	SHEET #:	TOTAL #:
2010	4	12

RAIL SYSTEM:

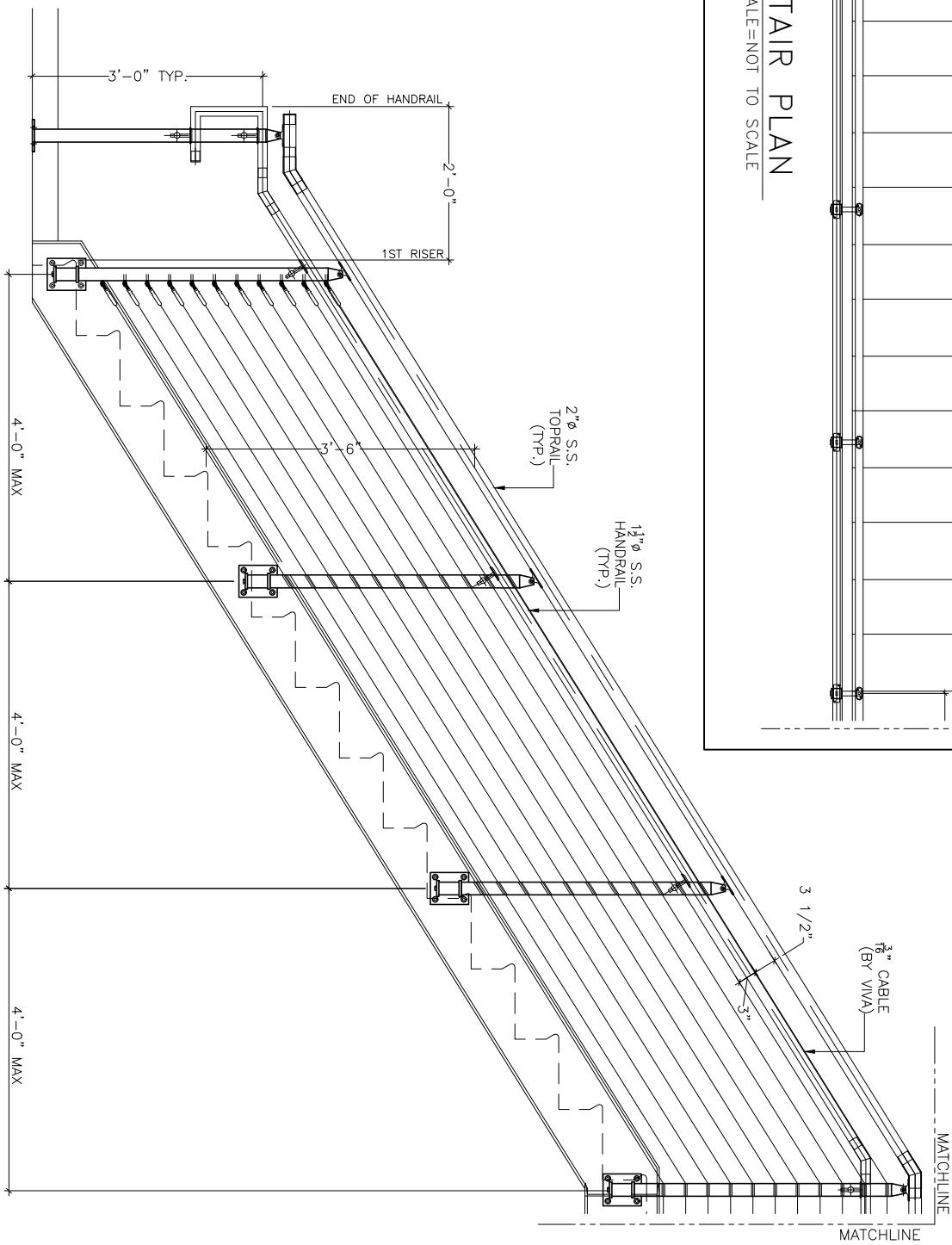
VIVA CUBE CABLE  
POST ASSEMBLY

## VIVA RAILINGS, LLC

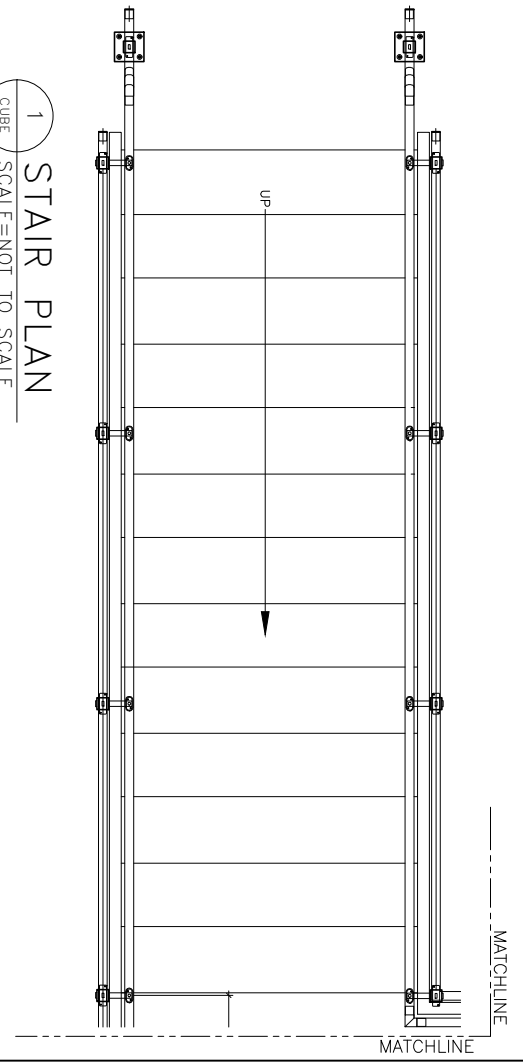
650 E HWY 121 STE. 204  
LEWISVILLE, TX 75057  
P: 972-353-8482  
F: 972-353-0013  
e: info@vivarailings.com  
www.vivarailings.com



2 STAIR ELEV.  
 CUBE SCALE=NOT TO SCALE



1 STAIR PLAN  
 CUBE SCALE=NOT TO SCALE



PRODUCT DATA

ISSUE DATE:	SHEET #:	TOTAL #:
2010	5	12

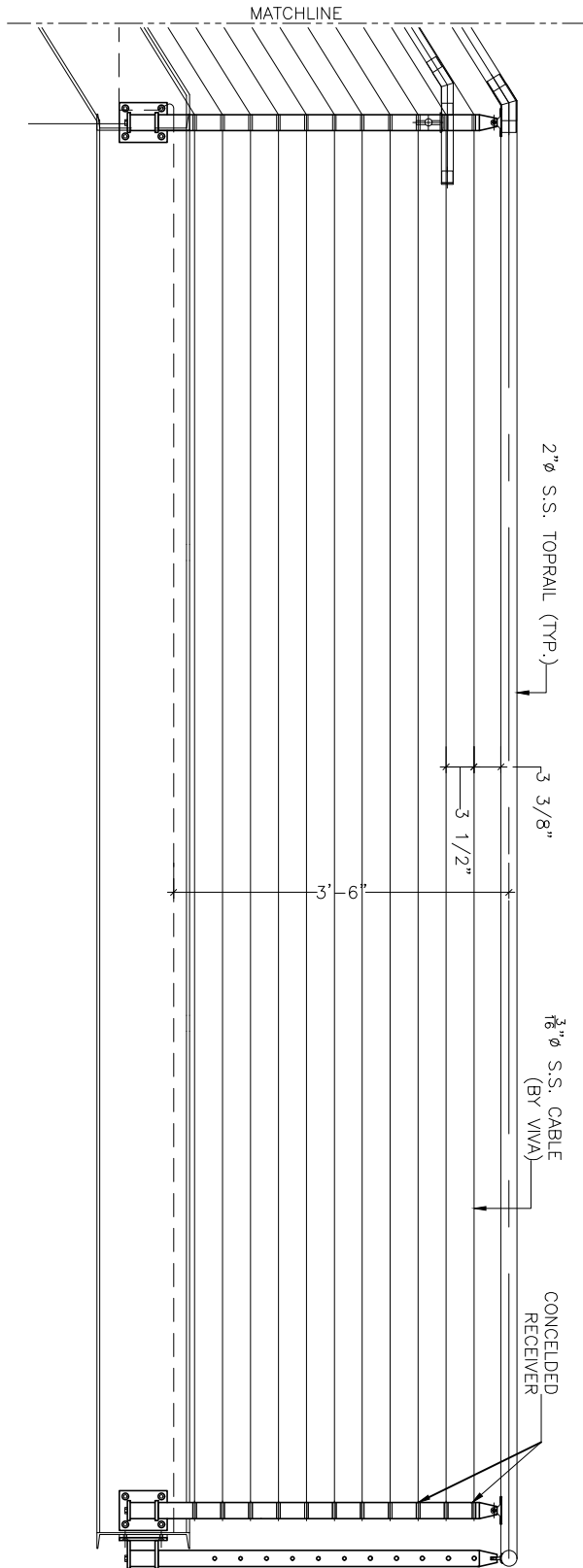
RAIL SYSTEM:

VIVA CUBE CABLE  
 STAIR PLAN & ELEV

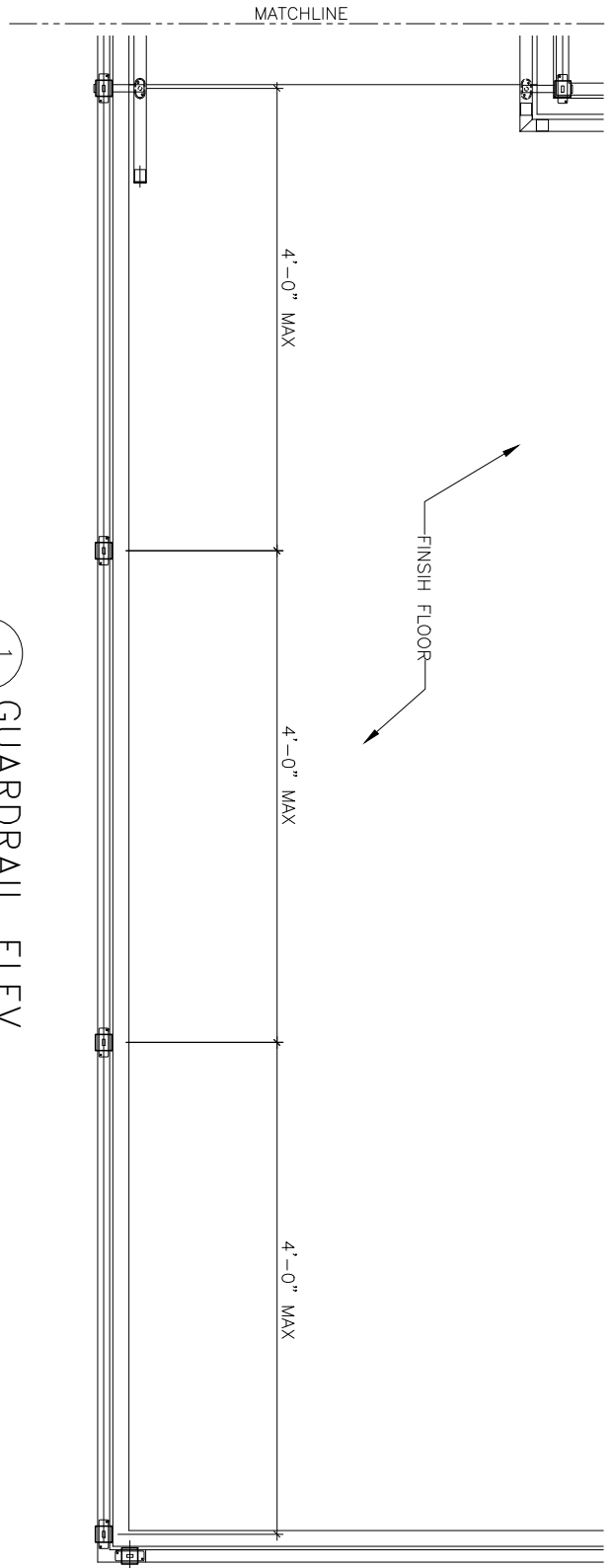
VIVA RAILINGS, LLC

650 E HWY 121 STE. 204  
 LEWISVILLE, TX 75057  
 P: 972-353-8482  
 F: 972-353-0013  
 e: info@vivarailings.com  
 www.vivarailings.com





2 GUARDRAIL PLAN  
CUBE  
 SCALE=NOT TO SCALE



1 GUARDRAIL ELEV.  
CUBE  
 SCALE=NOT TO SCALE

PRODUCT DATA

ISSUE DATE: 2010	SHEET #: 6	TOTAL #: 12
---------------------	---------------	----------------

RAIL SYSTEM:

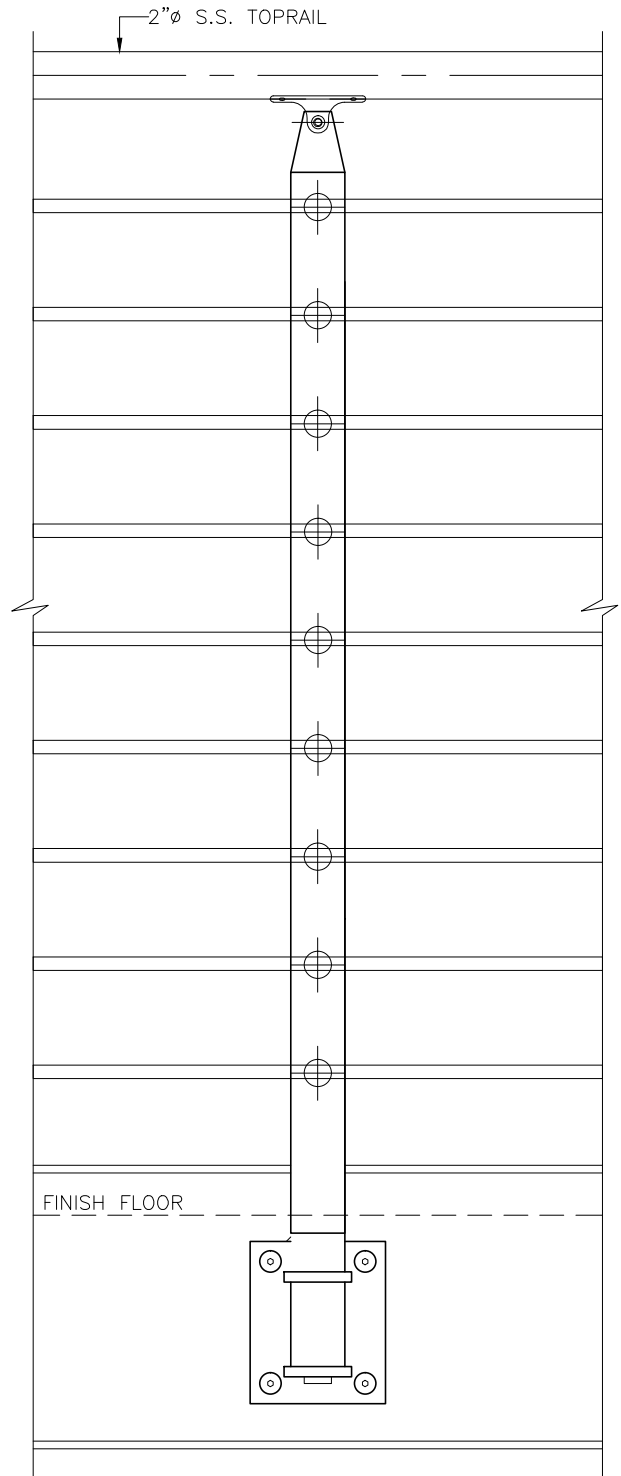
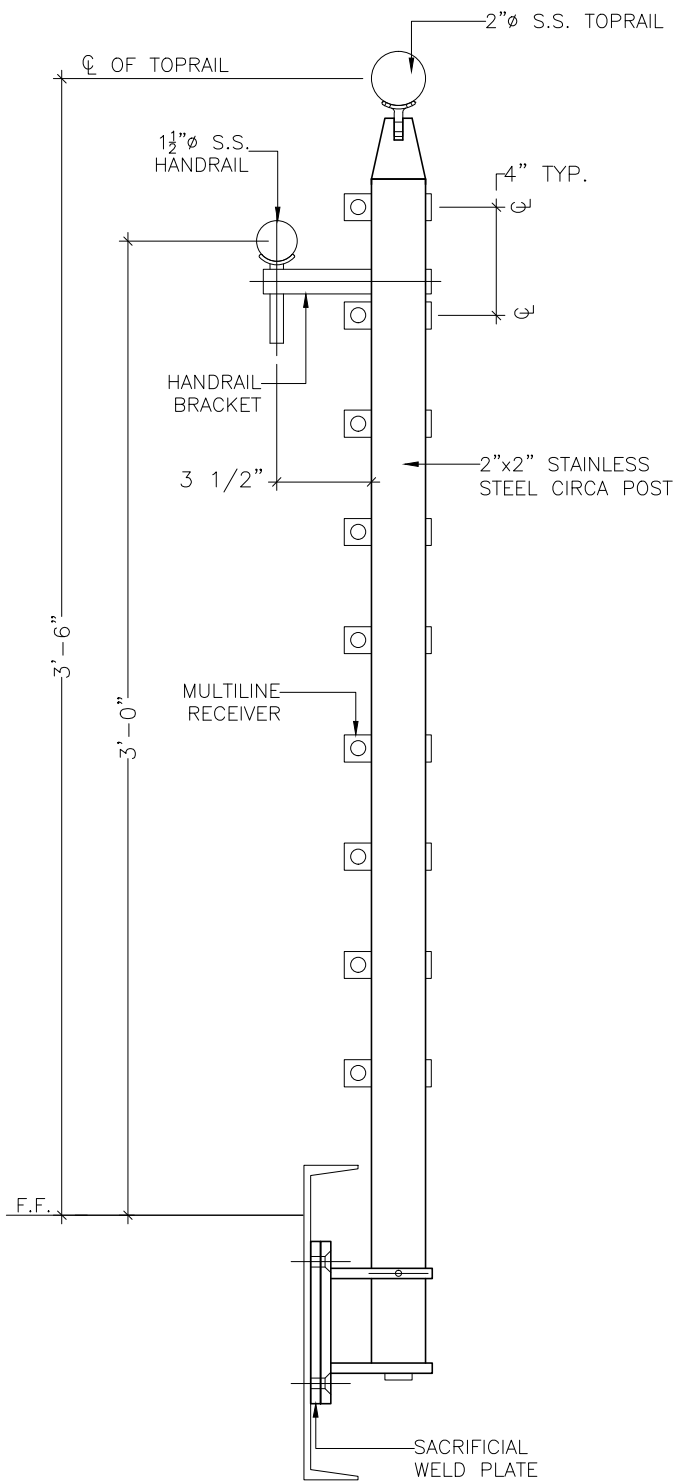
VIVA CUBE CABLE  
 GUARDRAIL PLAN & ELEV.

VIVA RAILINGS, LLC

650 E HWY 121 STE. 204  
 LEWISVILLE, TX 75057  
 P: 972-353-8482  
 F: 972-353-0013  
 e: info@vivarailings.com  
 www.vivarailings.com



# VIVA CUBE RAILING SYSTEM



## PRODUCT DATA

ISSUE DATE:	SHEET #:	TOTAL #:
2010	7	12

RAIL SYSTEM:

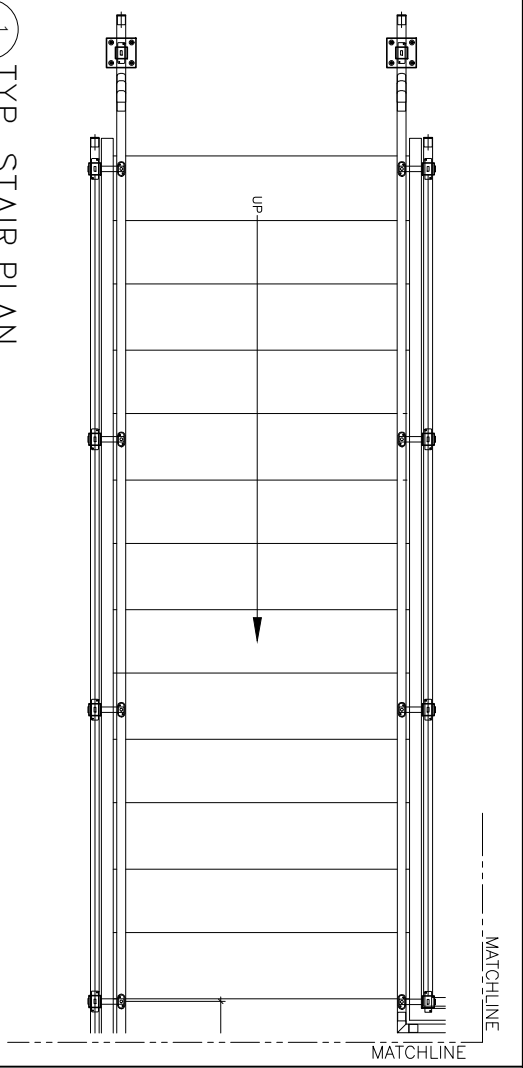
VIVA CUBE MULTILINE  
POST ASSEMBLY

## VIVA RAILINGS, LLC

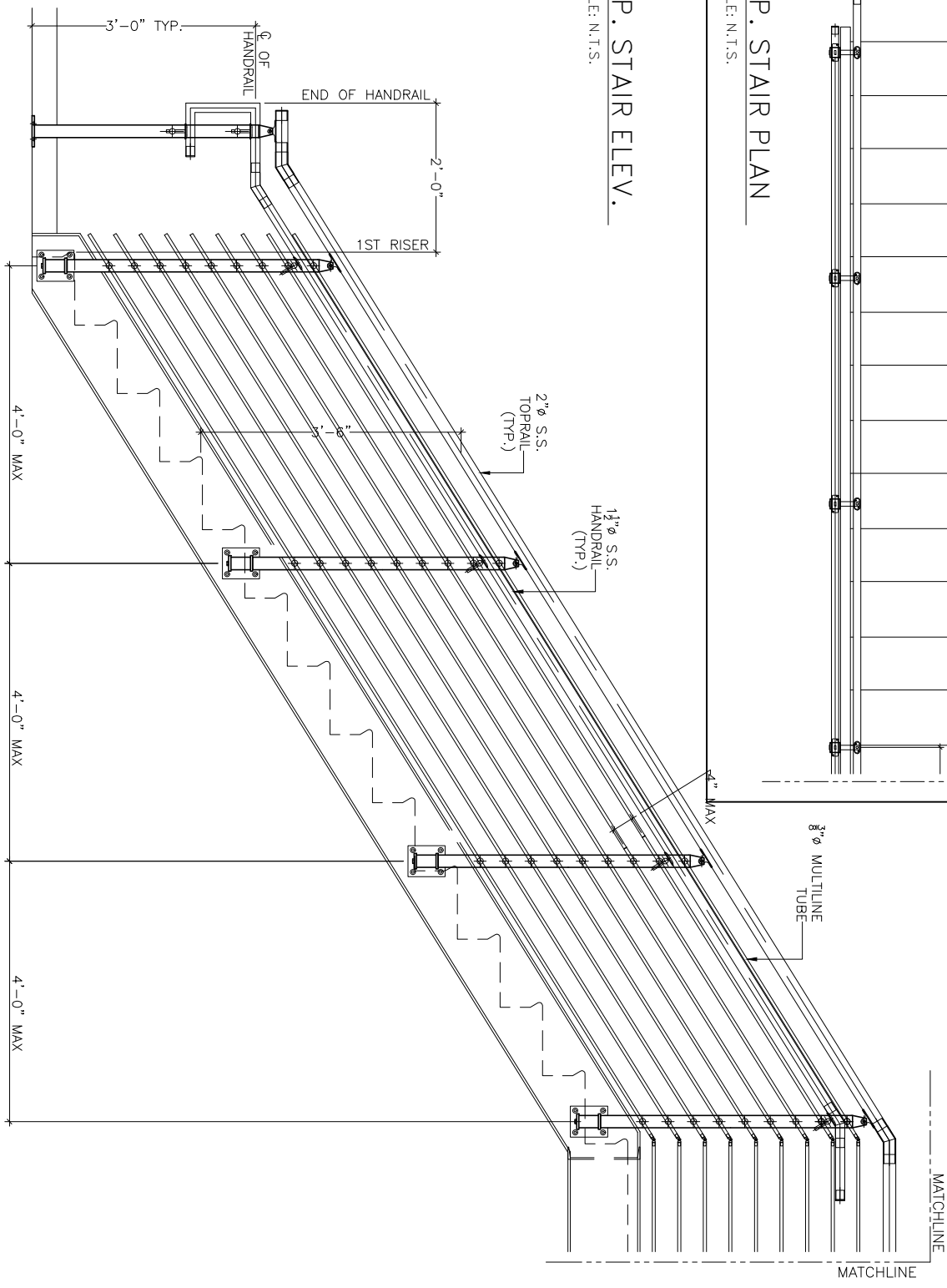
650 E HWY 121 STE. 204  
 LEWISVILLE, TX 75057  
 P: 972-353-8482  
 F: 972-353-0013  
 e: info@vivarailings.com  
 www.vivarailings.com



1  
CIRCA  
TYP. STAIR PLAN  
SCALE: N.T.S.



2  
CIRCA  
TYP. STAIR ELEV.  
SCALE: N.T.S.



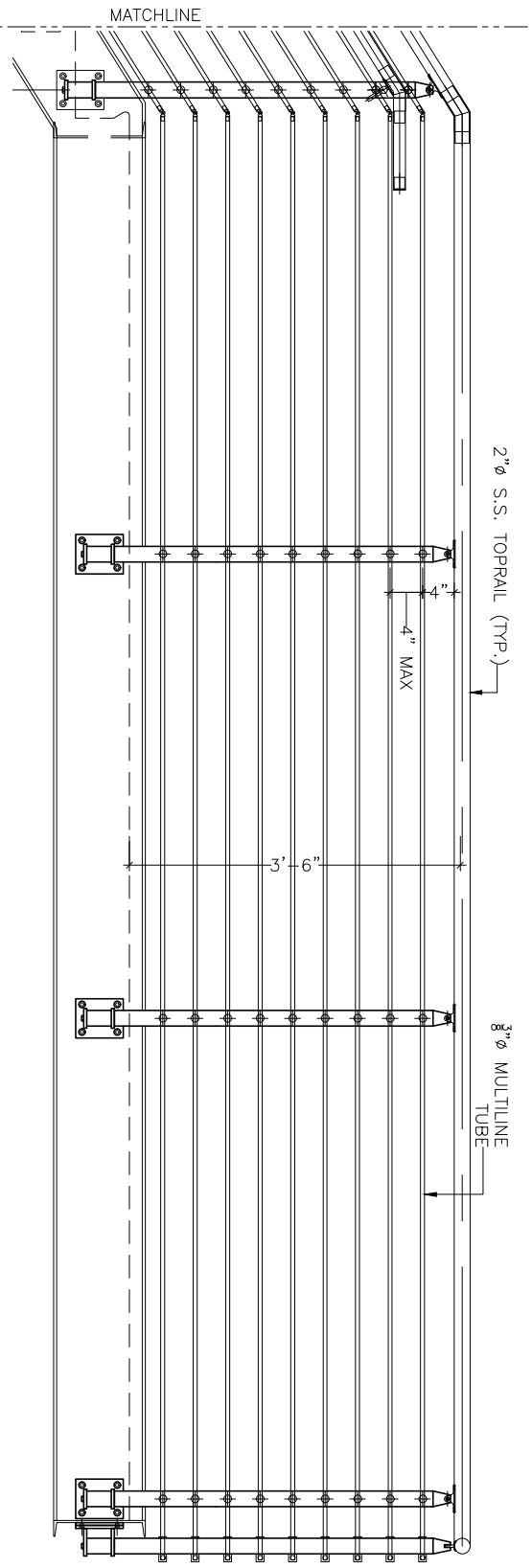
PRODUCT DATA		
ISSUE DATE: 2010	SHEET #: 8	TOTAL #: 12

RAIL SYSTEM:  
VIVA CUBE MULTILINE  
STAIR PLAN & ELEV.

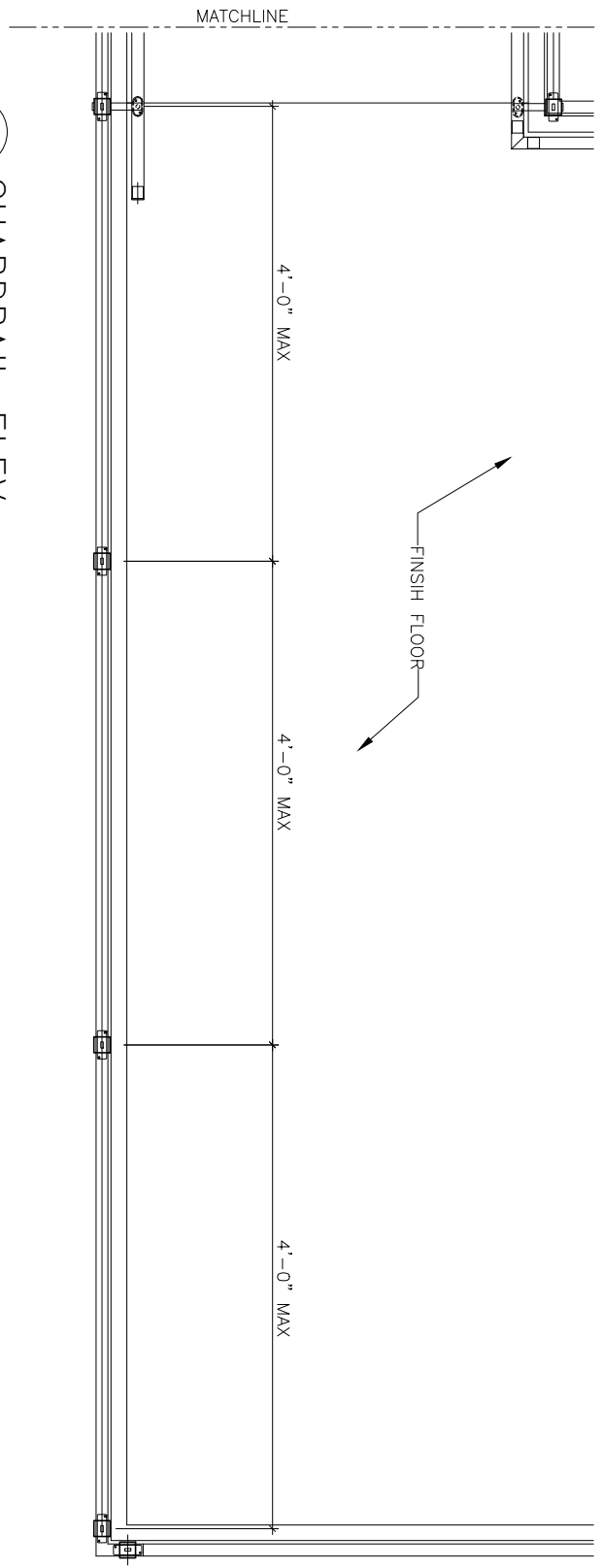
VIVA RAILINGS, LLC  
650 E HWY 121 STE. 204  
LEWISVILLE, TX 75057  
P: 972-353-8482  
F: 972-353-0013  
e: info@vivarailings.com  
www.vivarailings.com



2  
CUBE  
GUARDRAIL PLAN  
SCALE=NOT TO SCALE



1  
CUBE  
GUARDRAIL ELEV.  
SCALE=NOT TO SCALE



PRODUCT DATA

ISSUE DATE:	SHEET #:	TOTAL #:
2010	9	12

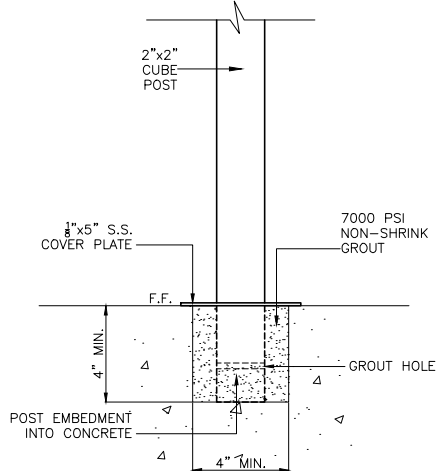
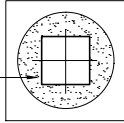
RAIL SYSTEM:  
VIVA CUBE MULTILINE  
GUARDRAIL PLAN & ELEV.

VIVA RAILINGS, LLC  
650 E HWY 121 STE. 204  
LEWISVILLE, TX 75057  
P: 972-353-8482  
F: 972-353-0013  
e: info@vivarailings.com  
www.vivarailings.com

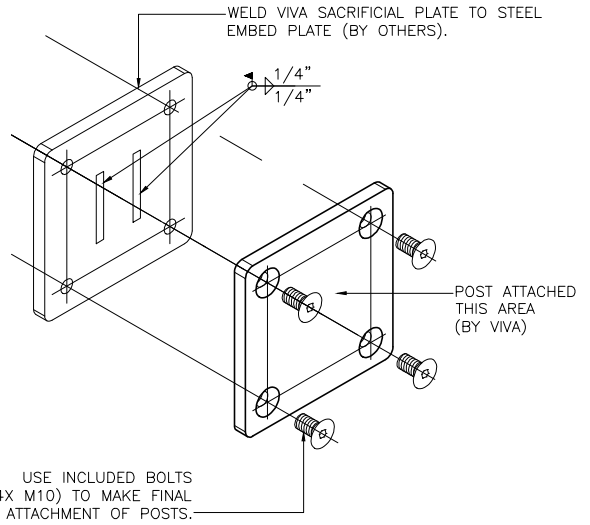


# CONCRETE APPLICATIONS

INFILL AROUND POST W/  
MIN. 7,000 PSI GROUT,  
1/2" MIN. CLEARANCE  
B/W POST & HOLE EDGE

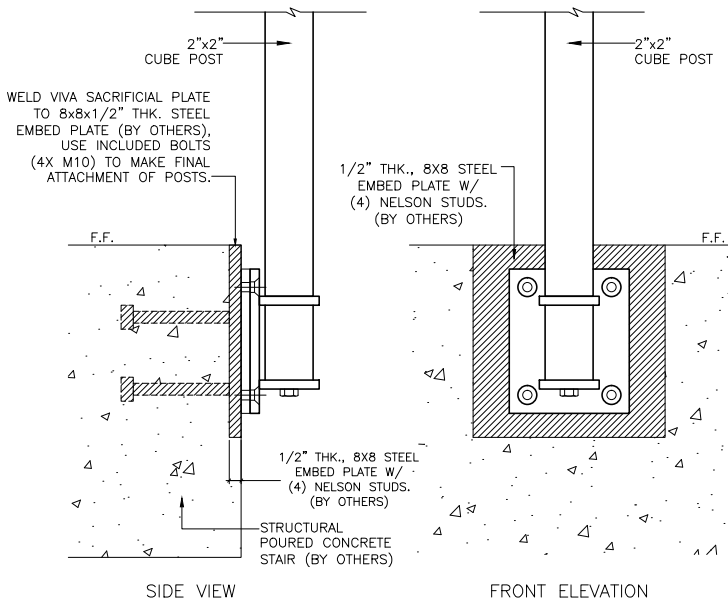


**3 CORE MOUNT**  
SCALE=NOT TO SCALE

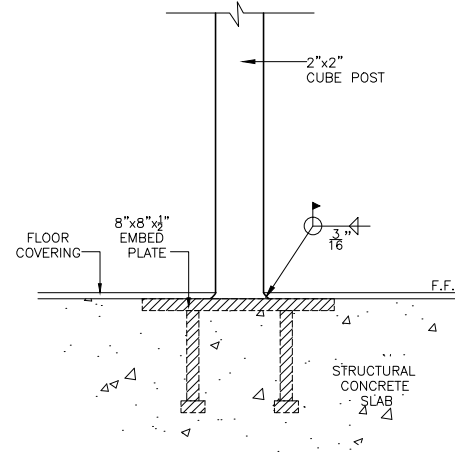


\*DETAIL APPLIES TO POST ATTACHED TO STEEL ALSO\*

**4 WELD PLATE DETAIL**  
SCALE=NOT TO SCALE



**2 FASCIA MOUNT**  
SCALE=NOT TO SCALE



**1 FLOOR MOUNT**  
SCALE=NOT TO SCALE

## PRODUCT DATA

ISSUE DATE:	SHEET #:	TOTAL #:
2010	10	12

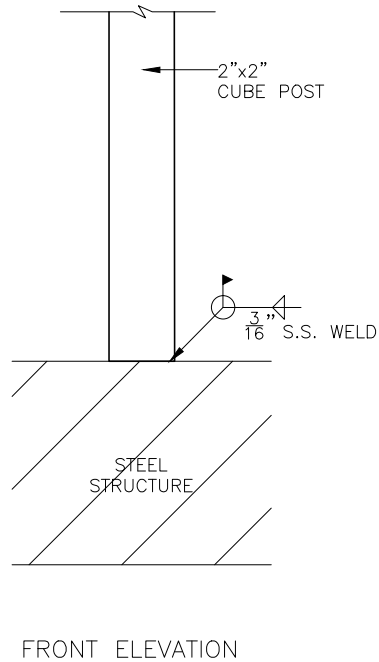
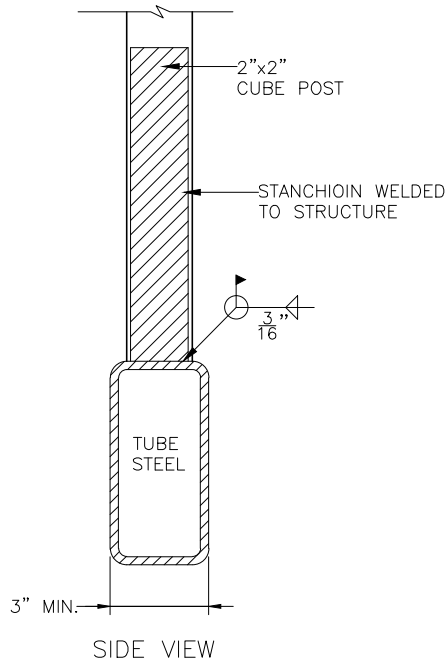
RAIL SYSTEM:

VIVA CUBE  
MOUNTING OPTIONS

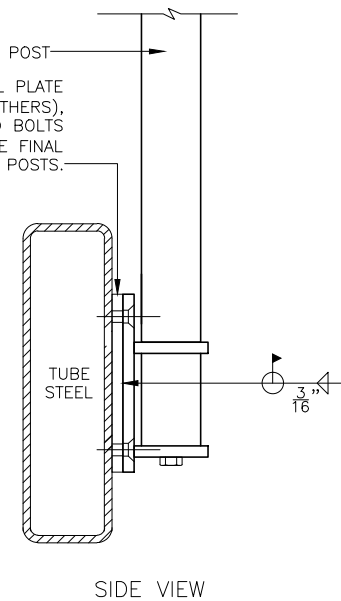
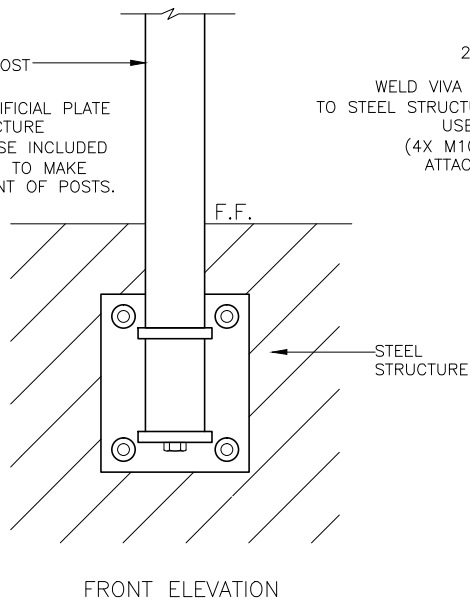
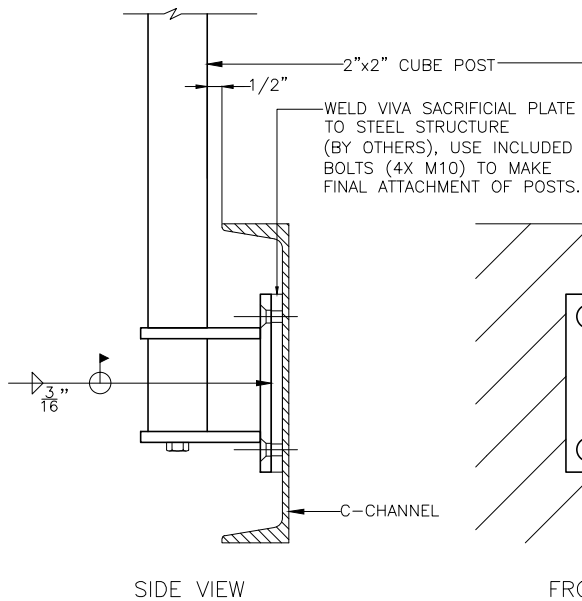
VIVA RAILINGS, LLC  
650 E HWY 121 STE. 204  
LEWISVILLE, TX 75057  
P: 972-353-8482  
F: 972-353-0013  
e: info@vivarailings.com  
www.vivarailings.com



# STEEL APPLICATIONS



2 TOP MOUNT  
CUBE SCALE=NOT TO SCALE



1 FASCIA MOUNT  
CUBE SCALE=NOT TO SCALE

## PRODUCT DATA

ISSUE DATE:	SHEET #:	TOTAL #:
2010	11	12

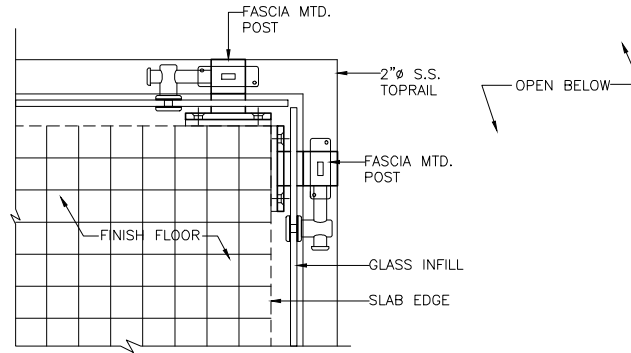
RAIL SYSTEM:

VIVA CUBE  
MOUNTING OPTIONS

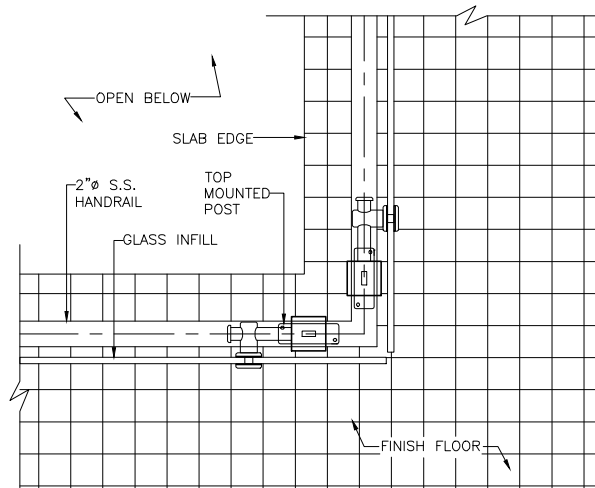
VIVA RAILINGS, LLC  
650 E HWY 121 STE. 204  
LEWISVILLE, TX 75057  
P: 972-353-8482  
F: 972-353-0013  
e: info@vivarailings.com  
www.vivarailings.com



# TYPICAL CORNER CONDITIONS



2  
CUBE  
OUTSIDE CORNER  
FASCIA MOUNT  
SCALE=NOT TO SCALE



1  
CUBE  
INSIDE CORNER  
FLOOR MOUNTED  
SCALE=NOT TO SCALE

## PRODUCT DATA

ISSUE DATE:	SHEET #:	TOTAL #:
2010	12	12

RAIL SYSTEM:

VIVA CUBE GLASS  
POST ASSEMBLY

VIVA RAILINGS, LLC  
650 E HWY 121 STE. 204  
LEWISVILLE, TX 75057  
P: 972-353-8482  
F: 972-353-0013  
e: info@vivarailings.com  
www.vivarailings.com

