

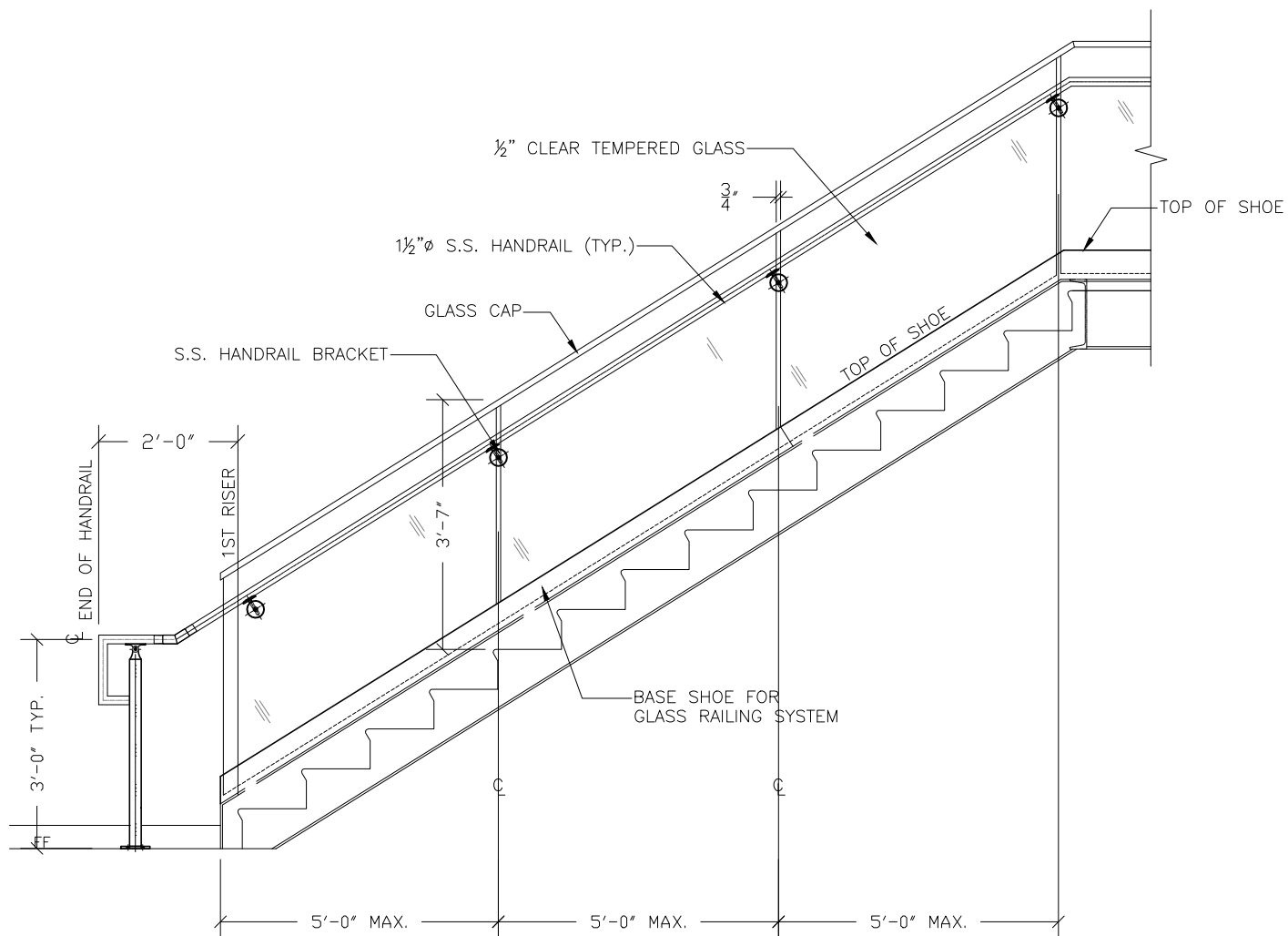
PRODUCT DATA

RAIL SYSTEM:
 TYPICAL SHOE GLASS ASSEMBLY DETAIL
 GLASS SHOE SYSTEM

ISSUE DATE	SHEET #
2011	E1 OF E5

VIVA RAILINGS, LLC
 650 E HWY 121 STE. 204
 LEWISVILLE, TX 75057
 P: 972-353-8482
 F: 972-353-0013
 e: info@vivarailings.com
 www.vivarailings.com





1 TYPICAL STAIR ELEVATION
 SHOE SCALE: N.T.S.

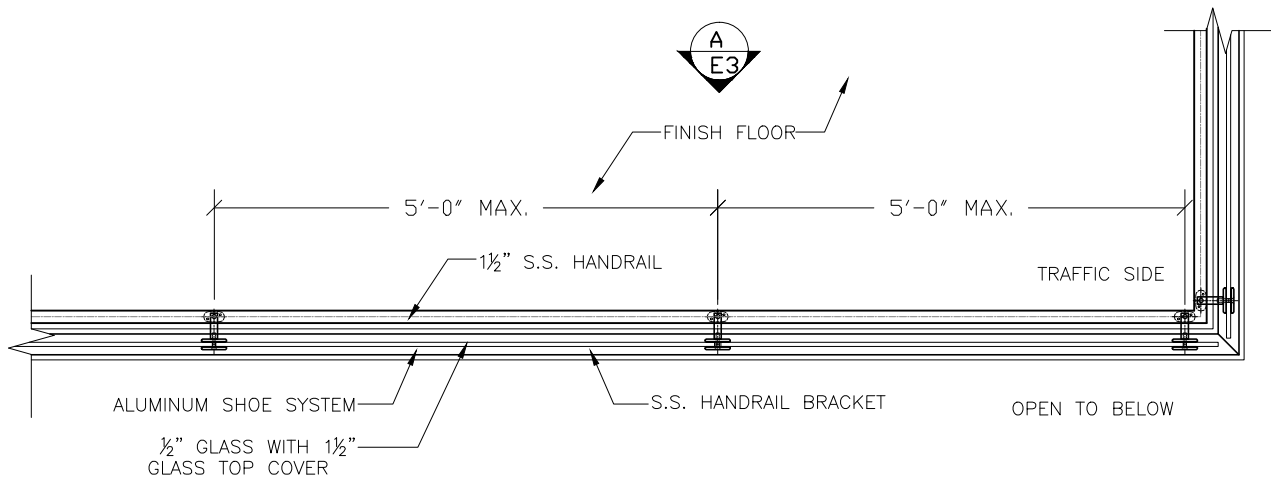
PRODUCT DATA

ISSUE DATE SHEET #
 2011 E2 OF E5

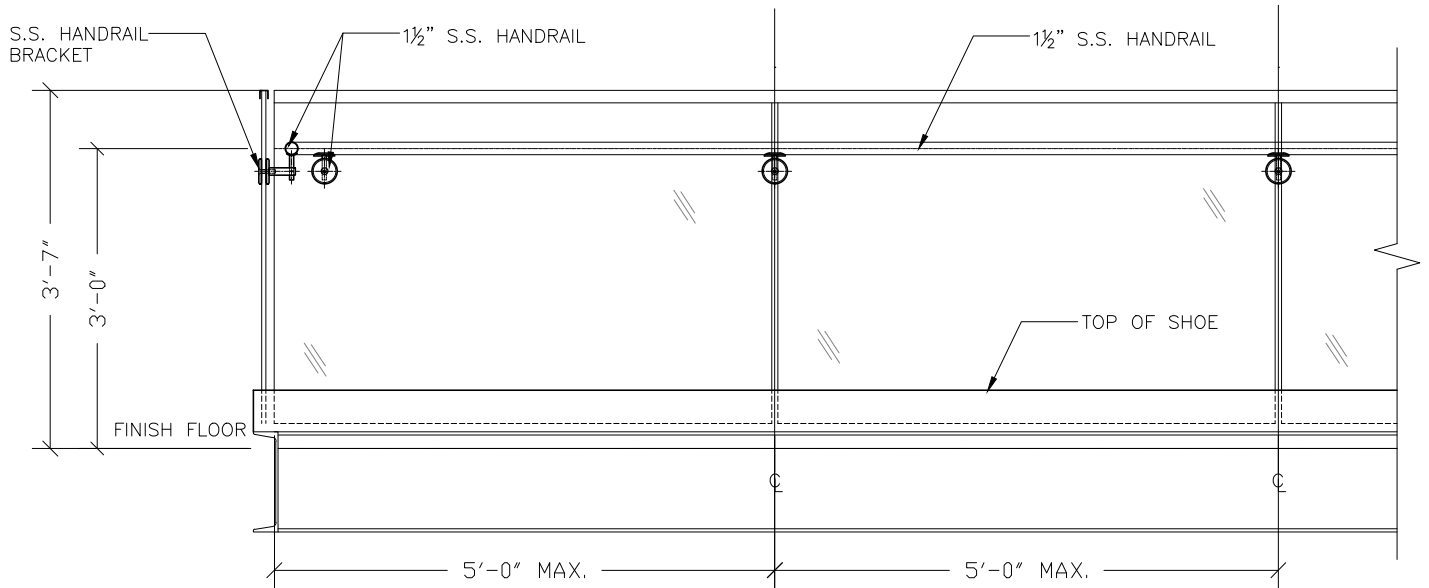
RAIL SYSTEM:
 TYPICAL STAIR ELEVATION
 GLASS SHOE SYSTEM

VIVA RAILINGS, LLC
 650 E HWY 121 STE. 204
 LEWISVILLE, TX 75057
 P: 972-353-8482
 F: 972-353-0013
 e: info@vivarailings.com
 www.vivarailings.com





1 PLAN VIEW
SHOE SCALE: N.T.S.



2 ELEVATION A
SHOE SCALE: N.T.S.

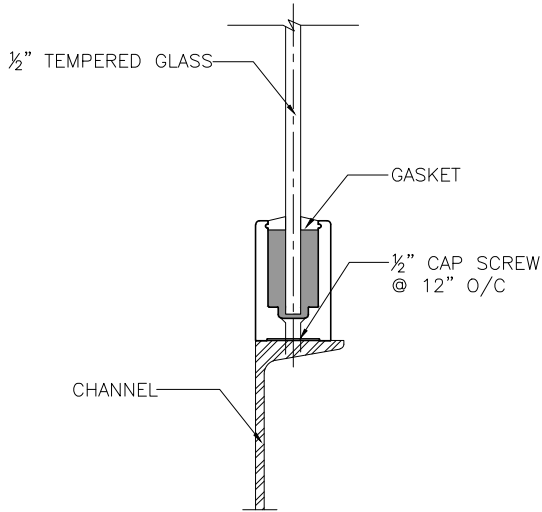
PRODUCT DATA

RAIL SYSTEM:
STAIR PLAN AND ELEVATION
GLASS SHOE SYSTEM

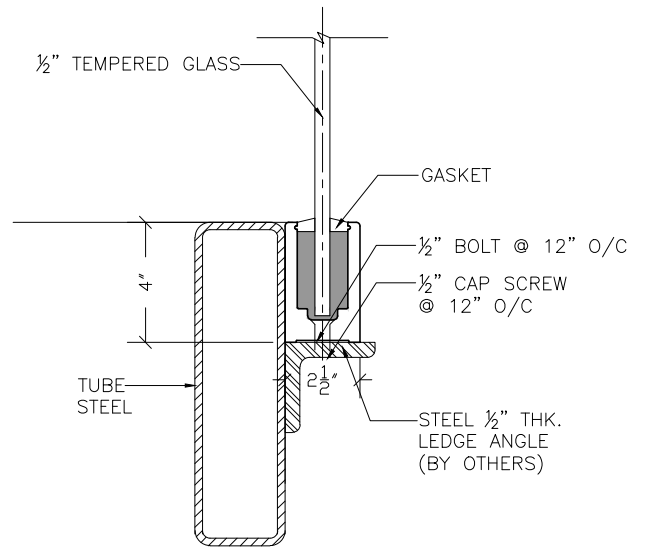
ISSUE DATE	SHEET #
2011	E3 OF E5

VIVA RAILINGS, LLC
650 E HWY 121 STE. 204
LEWISVILLE, TX 75057
P: 972-353-8482
F: 972-353-0013
e: info@vivarailings.com
www.vivarailings.com

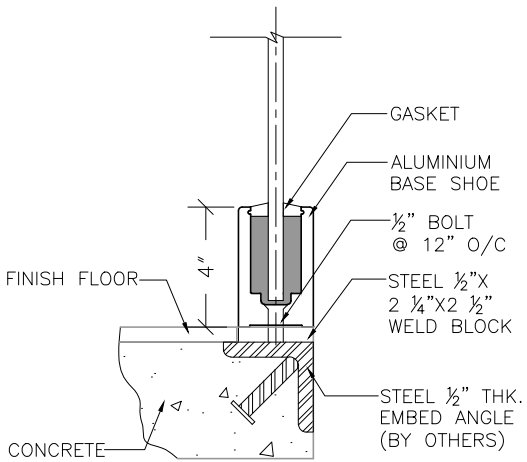




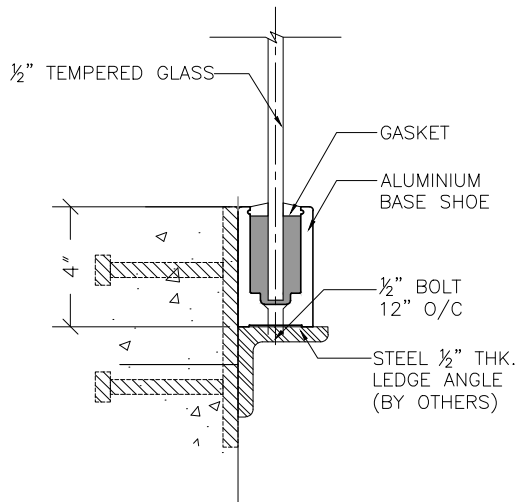
1 TOP MOUNT
SHOE SCALE: N.T.S.



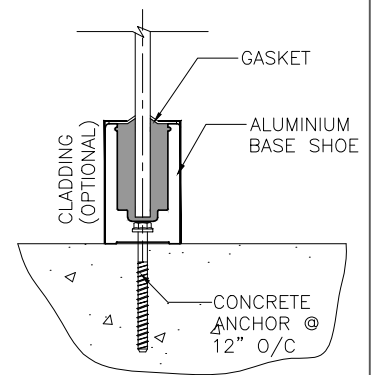
2 FASCIA MOUNT
SHOE SCALE: N.T.S.



3 EDGE OF CONCRETE MOUNT
SHOE SCALE: N.T.S.



4 FASCIA MOUNT
SHOE SCALE: N.T.S.



5 TOP MOUNT
SHOE SCALE: N.T.S.

PRODUCT DATA

RAIL SYSTEM:
TYPICAL MOUNTING DETAILS
GLASS SHOE SYSTEM

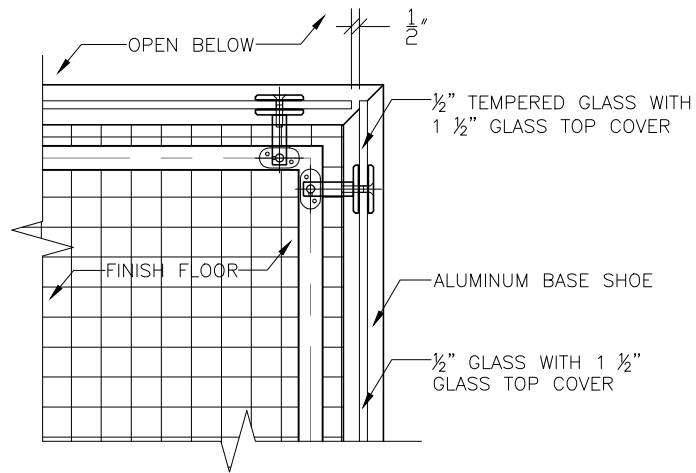
ISSUE DATE SHEET #
2011 E4 OF E5

VIVA RAILINGS, LLC

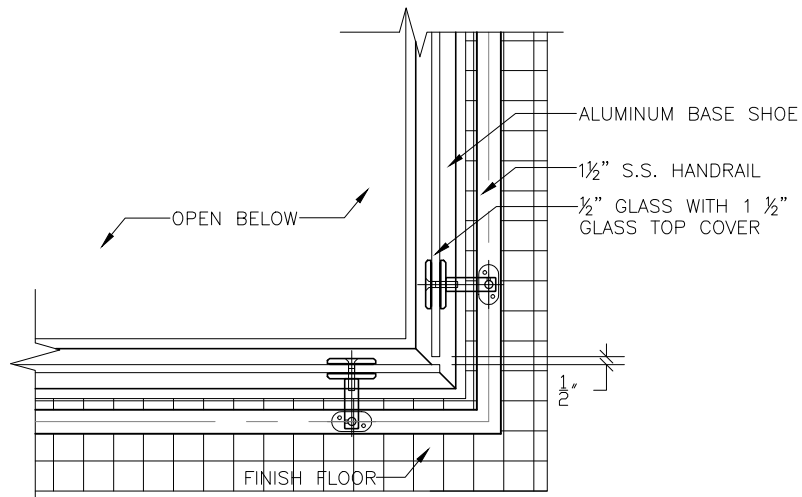
650 E HWY 121 STE. 204
LEWISVILLE, TX 75057
P: 972-353-8482
F: 972-353-0013
E: info@vivarailings.com
www.vivarailings.com



TYPICAL CORNER CONDITIONS



1 OUTSIDE CORNER FASCIA MOUNTED
SHOE SCALE: N.T.S.



2 INSIDE CORNER FLOOR MOUNTED
SHOE SCALE: N.T.S.

PRODUCT DATA

RAIL SYSTEM:
TYPICAL CORNER DETAILS
GLASS SHOE SYSTEM

ISSUE DATE	SHEET #
2011	E5 OF E5

VIVA RAILINGS, LLC
650 E HWY 121 STE. 204
LEWISVILLE, TX 75057
P: 972-353-8482
F: 972-353-0013
e: info@vivarailings.com
www.vivarailings.com

