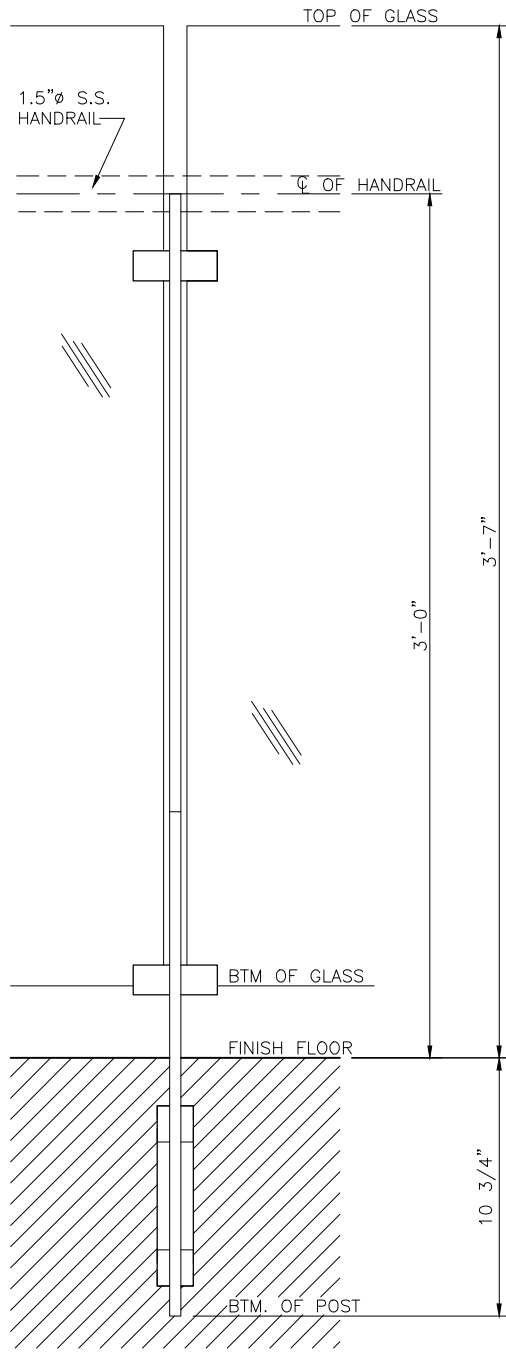


2 SOLO RAILING SIDE VIEW
 SOLO1 SCALE: N.T.S.



1 SOLO RAILING FRONT VIEW
 SOLO1 SCALE: N.T.S.

2: NEW RAILING MASTER BLUE INTERNAL MASTER SOLO INTERNAL CHANGING SOLO MASTER.dwg 5/20/2012 3:11 PM

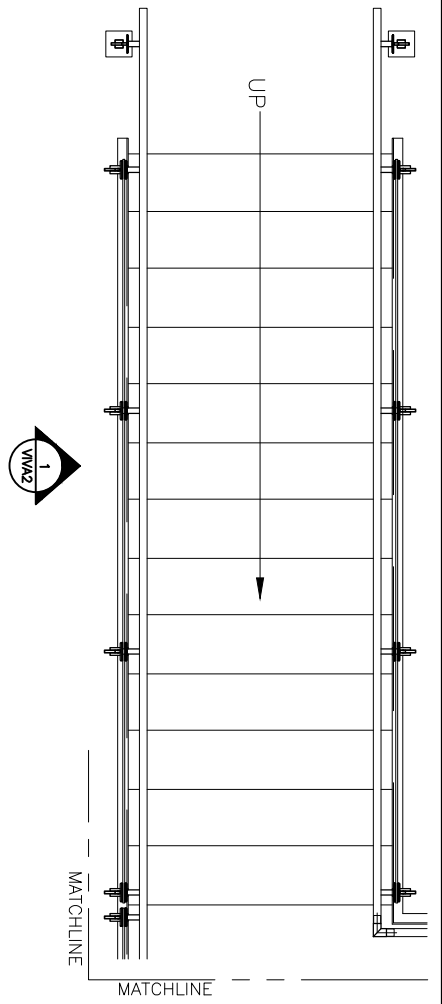
SOLO RAILING SYSTEM		
CUSTOMER NAME:	SHEET #:	TOTAL #:
	1	5
CONTACT INFORMATION:	ISSUE DATE:	
VIVA	05.20.10	

<small>RAIL SYSTEM SPECIFICATION:</small>
VIVA SOLO RAILING SYSTEM
NOTES:

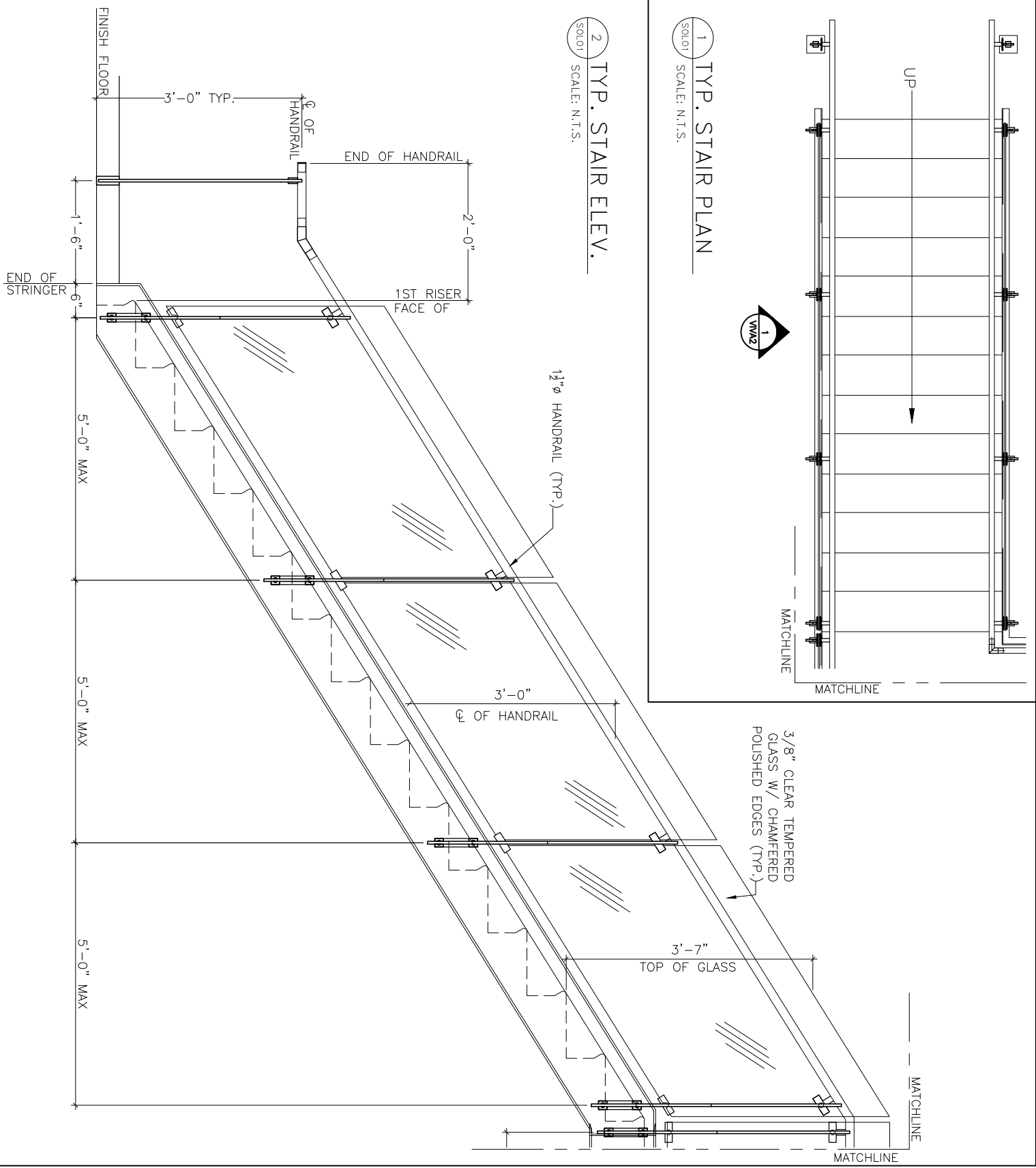
VIVA RAILINGS LLC
 650 E HWY 121 BUSINESS
 SUITE 204 LEWISVILLE, TX 75057
 PH: 972-353-8482 FAX: 972-353-0013
 email: info@vivarailings.com



1 TYP. STAIR PLAN
SCALE: N.T.S.



2 TYP. STAIR ELEV.
SCALE: N.T.S.



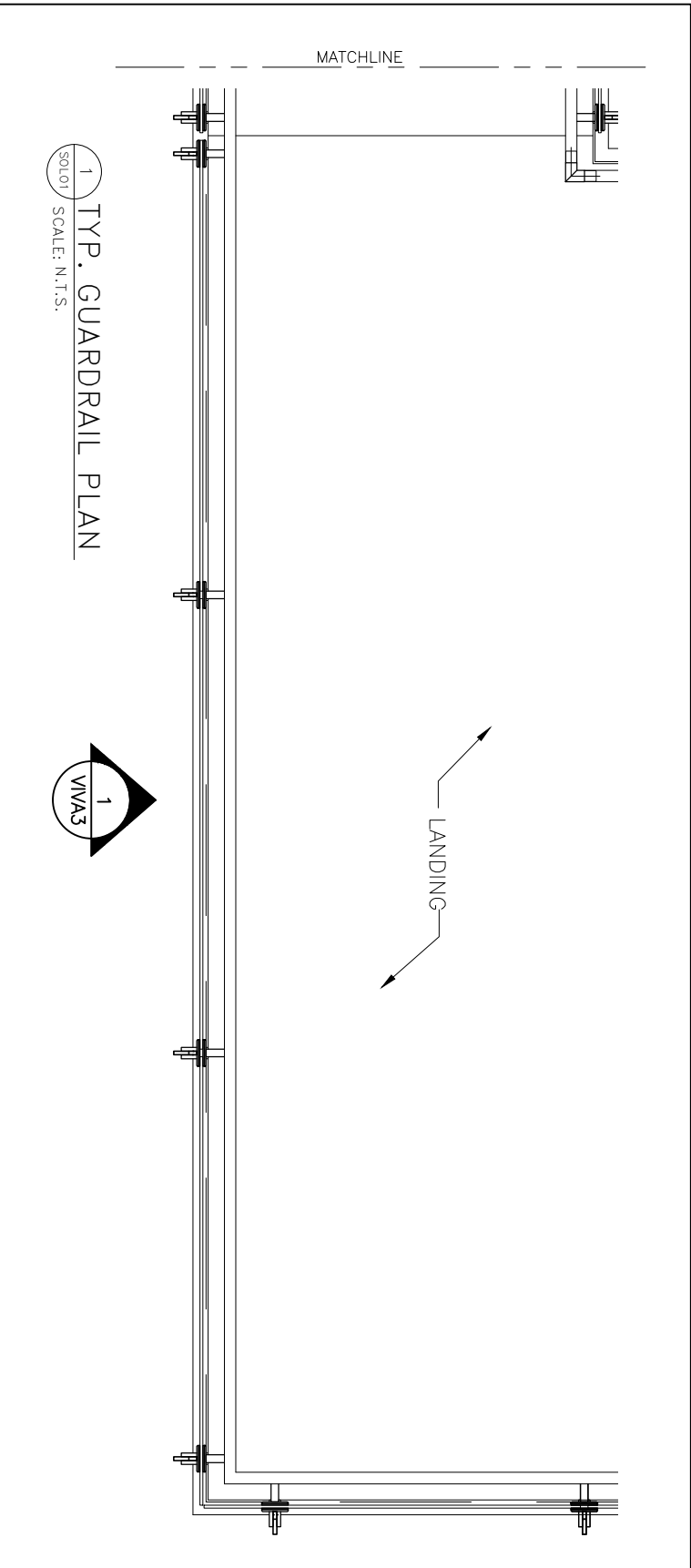
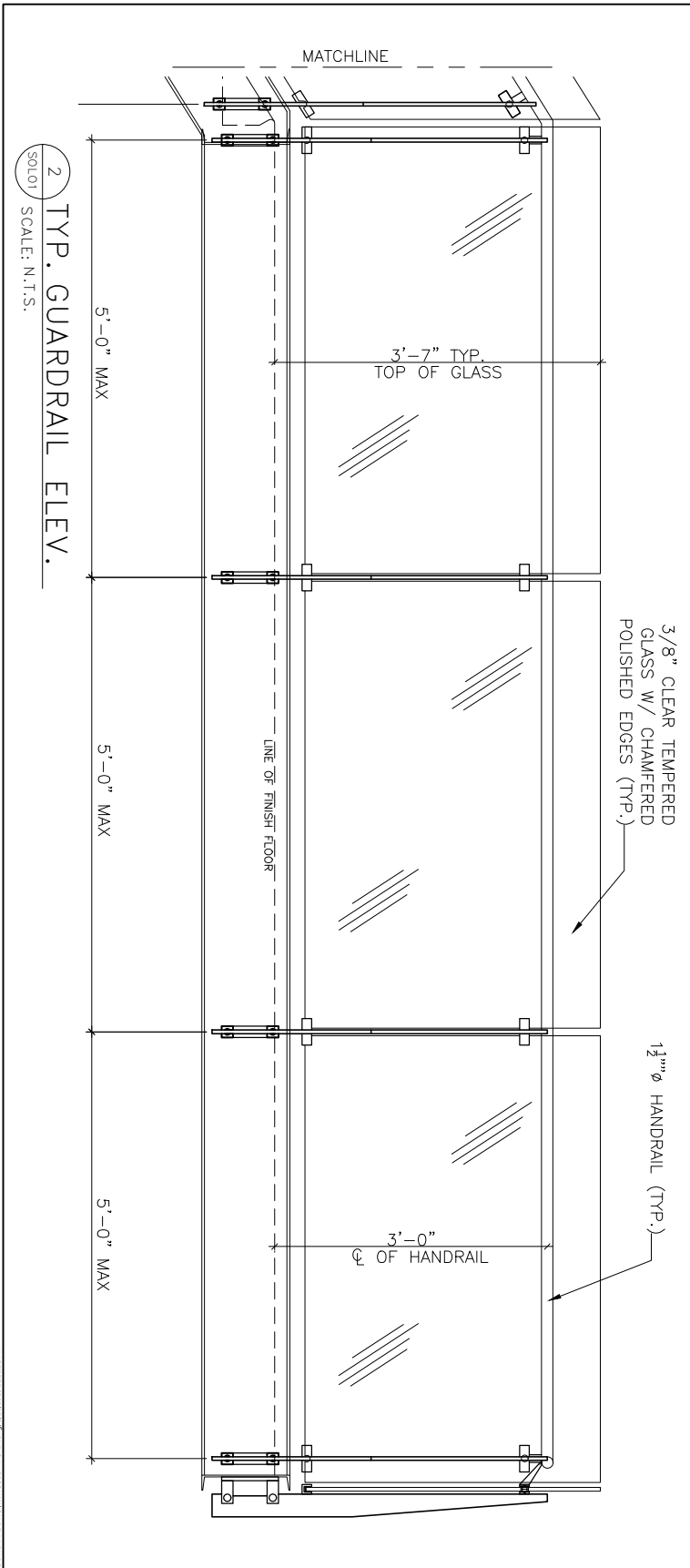
2:18 PM 05/20/10 11:11 AM INTERNAL CHECK/DRAWING SOLO MASTER.dwg 5:02 PM 05/20/10 11:11 AM

SOLO RAILING SYSTEM		
CUSTOMER NAME:	SHEET #:	TOTAL #:
	2	5
CONTACT INFORMATION:	ISSUE DATE:	
VIVA	05.20.10	

RAIL SYSTEM SPECIFICATION:
SOLO STAIR PLAN AND ELEVATION
NOTES:

VIVA RAILINGS LLC
 650 E HWY 121 BUSINESS
 SUITE 204 LEWISVILLE, TX 75057
 PH: 972-353-8482 FAX: 972-353-0013
 email: info@vivarailings.com





Z:\NEW\RAILING\MASTER FILES\INTERNAL MASTER\SOLO MASTER.dwg 20100520 11:28:11 AM

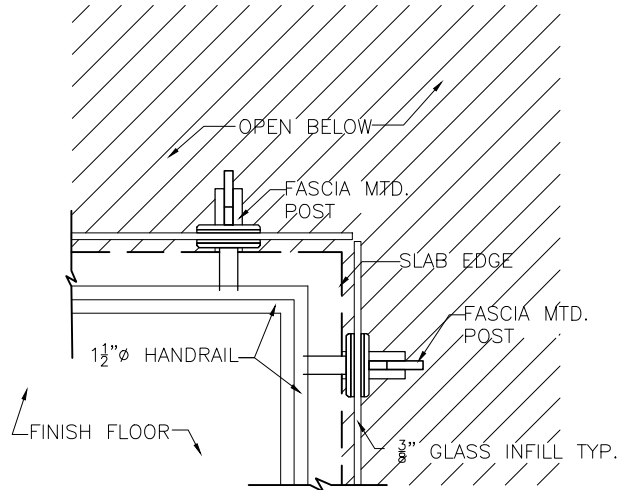
SOLO RAILING SYSTEM		
CUSTOMER NAME:	SHEET #:	TOTAL #:
	3	5
CONTACT INFORMATION:	ISSUE DATE:	
VIVA	05.20.10	

RAIL SYSTEM SPECIFICATION:
SOLO FLOORPLAN AND ELEVATION
NOTES:

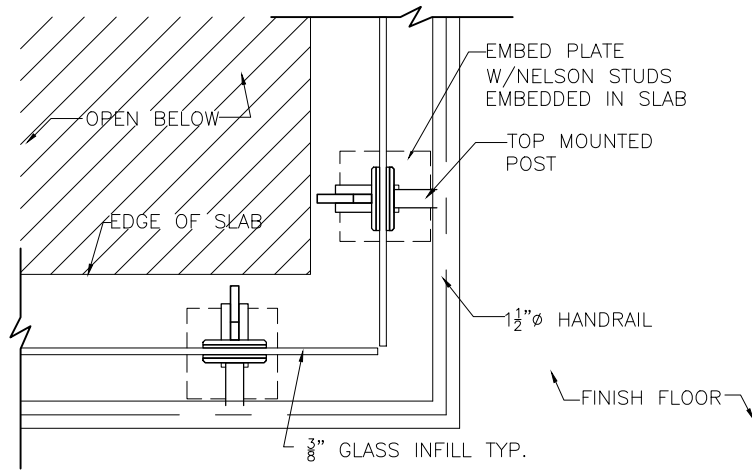
VIVA RAILINGS LLC

650 E HWY 121 BUSINESS
SUITE 204 LEWISVILLE, TX 75057
PH: 972-353-8482 FAX: 972-353-0013
email: info@vivarailings.com

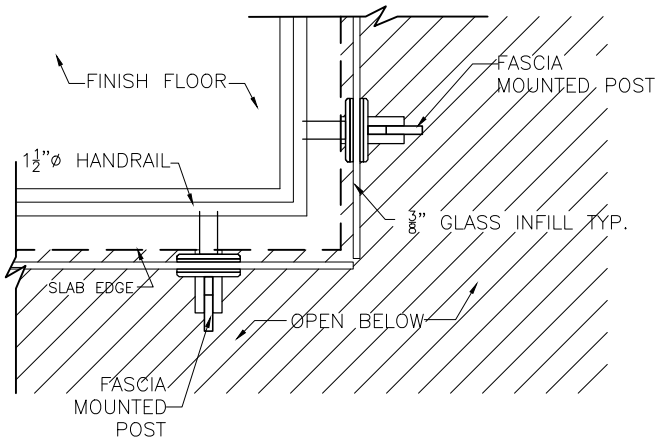
TYPICAL CORNER CONDITIONS



3 INSIDE CORNER
VIVA5 SCALE=N.T.S.



2 OUTSIDE CORNER FLOOR MOUNTED
VIVA5 SCALE=N.T.S.



1 OUTSIDE CORNER FASCIA MOUNTED
VIVA5 SCALE=N.T.S.

2: INTERNAL CORNER FLOOR MOUNTED 3: INTERNAL CORNER FASCIA MOUNTED 4: EXTERNAL CORNER FLOOR MOUNTED 5: EXTERNAL CORNER FASCIA MOUNTED

SOLO RAILING SYSTEM		
CUSTOMER NAME:	SHEET #:	TOTAL #:
	5	5
CONTACT INFORMATION:	ISSUE DATE:	
	05.20.10	

RAIL SYSTEM SPECIFICATION:
CORNER TRANSITIONS
NOTES:

VIVA RAILINGS LLC
 650 E HWY 121 BUSINESS
 SUITE 204 LEWISVILLE, TX 75057
 PH: 972-353-8482 FAX: 972-353-0013
 email: info@vivarailings.com

