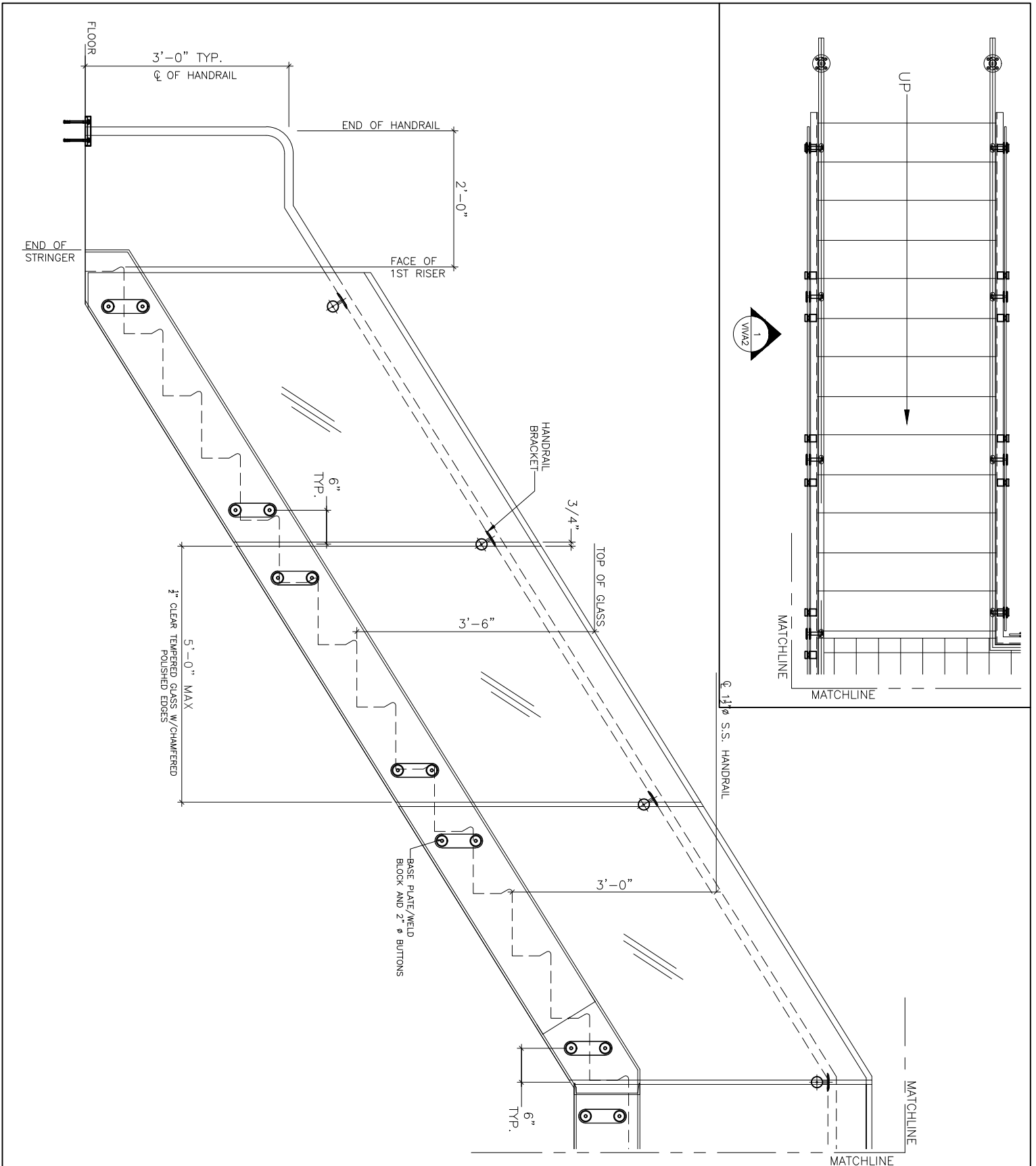


VIEW RAILING SYSTEM		
CUSTOMER NAME:	SHEET #:	TOTAL #:
	1	5
CONTACT INFORMATION:	ISSUE DATE:	
VIVA	05.17.10	

<small>RAIL SYSTEM SPECIFICATION:</small>
VIVA VIEW RAILING SYSTEM
NOTES:

VIVA RAILINGS LLC
 650 E HWY 121 BUSINESS
 SUITE 204 LEWISVILLE, TX 75057
 PH: 972-353-8482 FAX: 972-353-0013
 email: info@vivarailings.com



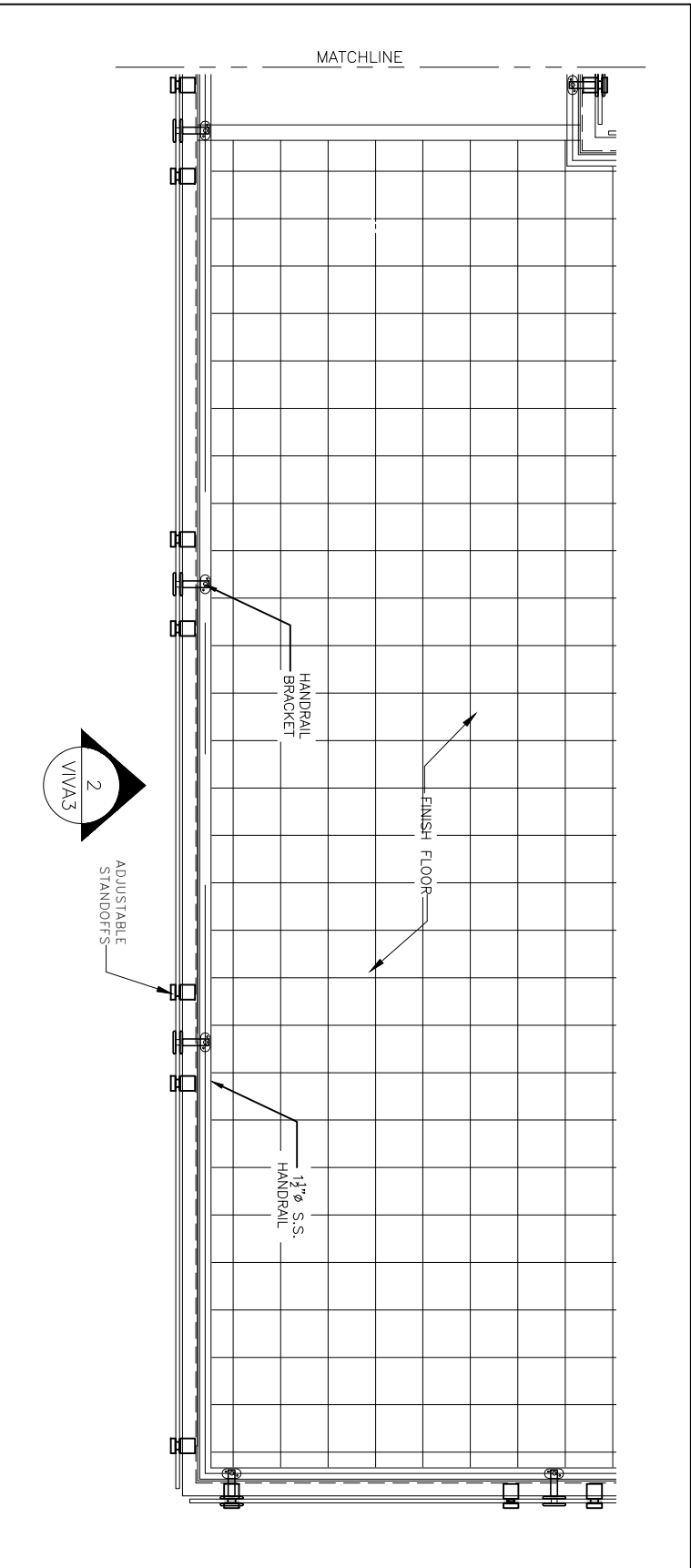
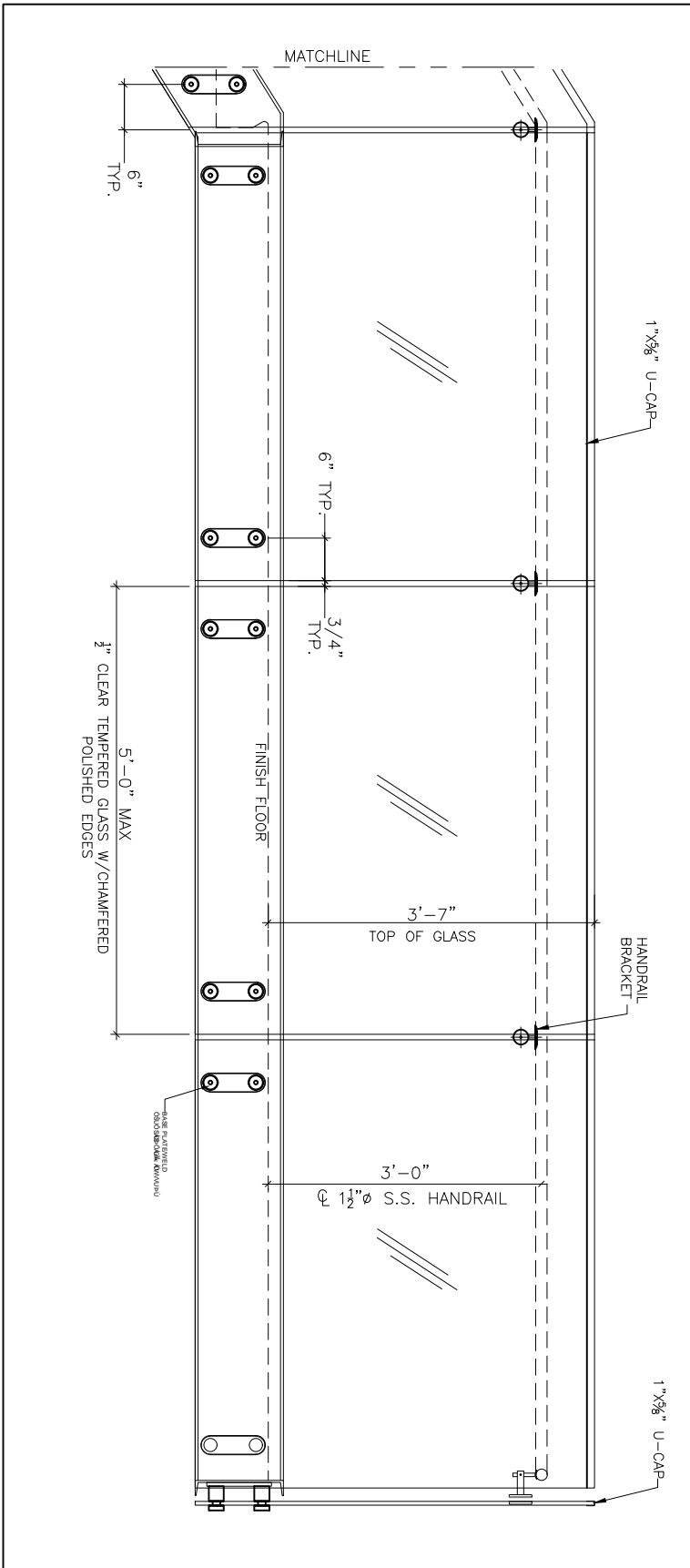


VIEW RAILING SYSTEM		
CUSTOMER NAME:	SHEET #:	TOTAL #:
	2	5
CONTACT INFORMATION:	ISSUE DATE:	
VIVA	05.17.10	

<small>RAIL SYSTEM SPECIFICATION:</small>
VIVA VIEW RAILING SYSTEM
NOTES:

VIVA RAILINGS LLC
 650 E HWY 121 BUSINESS
 SUITE 204 LEWISVILLE, TX 75057
 PH: 972-353-8482 FAX: 972-353-0013
 email: info@vivarailings.com





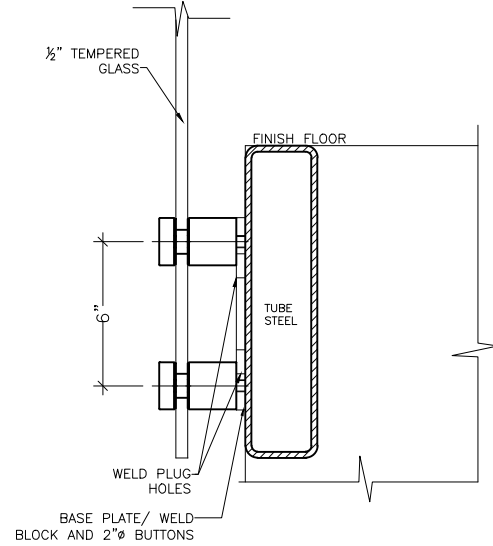
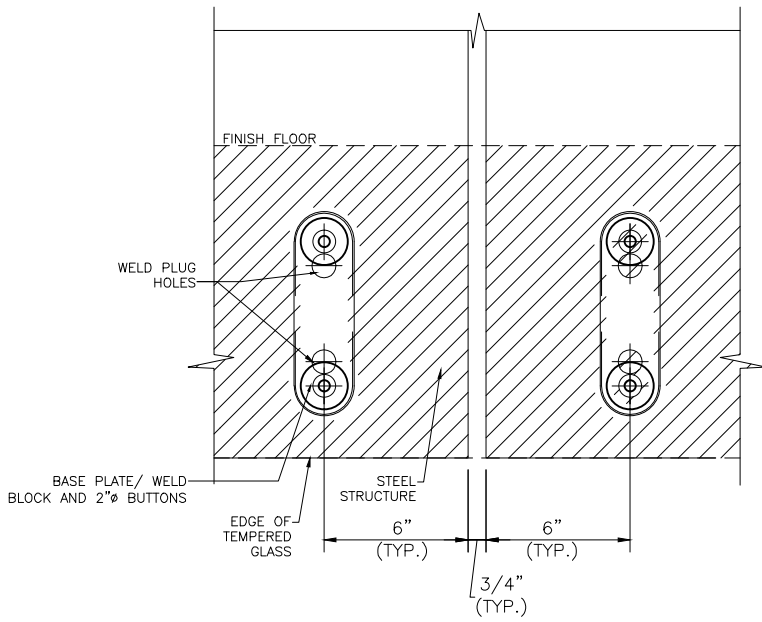
VIEW RAILING SYSTEM		
CUSTOMER NAME:	SHEET #:	TOTAL #:
	3	5
CONTACT INFORMATION:	ISSUE DATE:	
VIVA	05.17.10	

RAIL SYSTEM SPECIFICATION:
VIVA VIEW RAILING SYSTEM
NOTES:

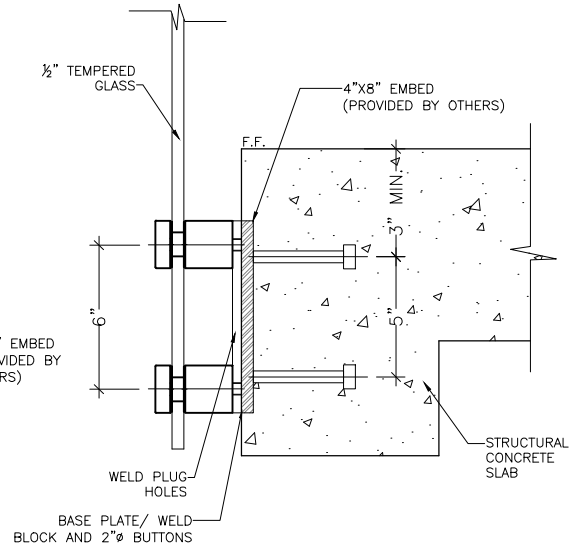
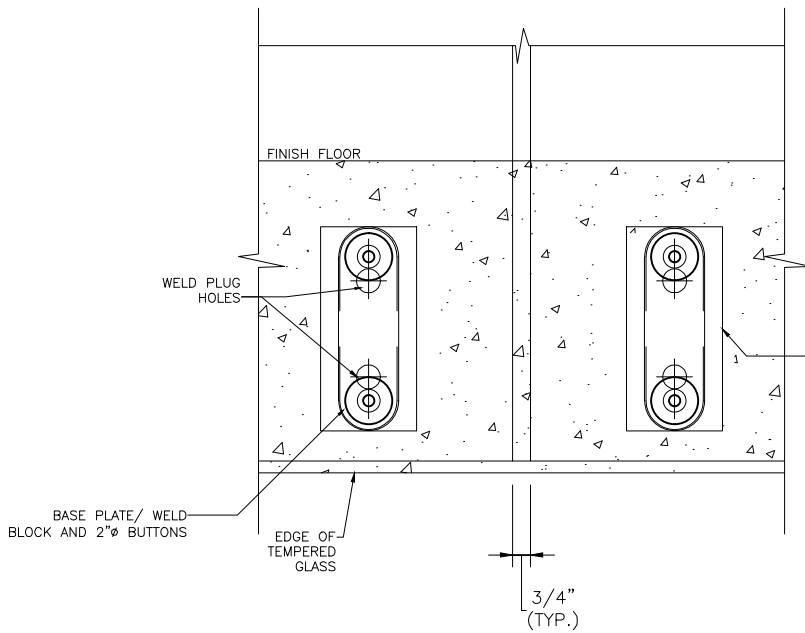
VIVA RAILINGS LLC
 650 E HWY 121 BUSINESS
 SUITE 204 LEWISVILLE, TX 75057
 PH: 972-353-8482 FAX: 972-353-0013
 email: info@vivarailings.com



MOUNTING CONDITIONS



1 STEEL MOUNTING
VIVA4 SCALE=N.T.S.



2 CONCRETE MOUNTING
VIVA4 SCALE=N.T.S.

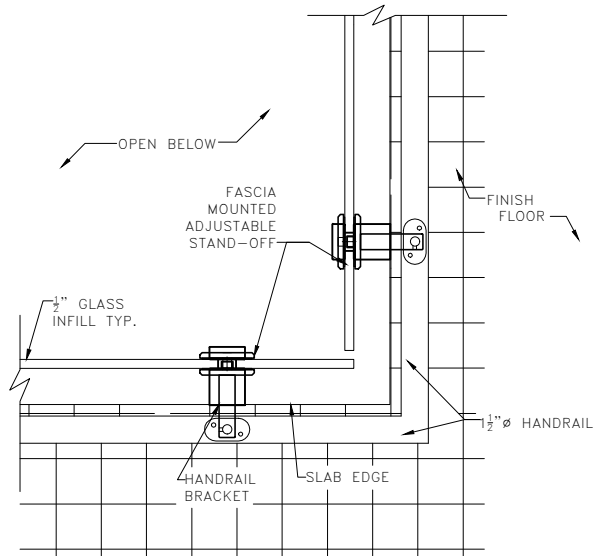
VIEW RAILING SYSTEM		
CUSTOMER NAME:	SHEET #:	TOTAL #:
	4	5
CONTACT INFORMATION:	ISSUE DATE:	
VIVA	05.17.10	

RAIL SYSTEM SPECIFICATION:
VIVA VIEW RAILING SYSTEM
NOTES:

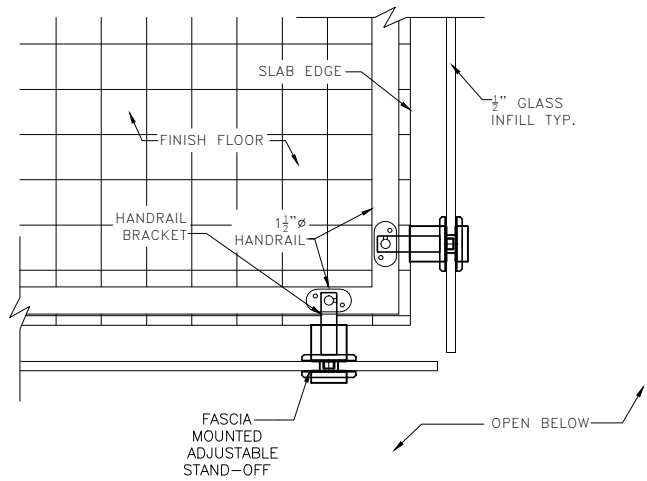
VIVA RAILINGS LLC
 650 E HWY 121 BUSINESS
 SUITE 204 LEWISVILLE, TX 75057
 PH: 972-353-8482 FAX: 972-353-0013
 email: info@vivarailings.com



TYPICAL CORNER CONDITIONS



2 INSIDE CORNER
VIVA4 SCALE=N.T.S.



1 OUTSIDE CORNER
VIVA4 SCALE=N.T.S.

VIEW RAILING SYSTEM		
CUSTOMER NAME:	SHEET #:	TOTAL #:
	5	5
CONTACT INFORMATION:	ISSUE DATE:	
	05.17.10	

<small>RAIL SYSTEM SPECIFICATION:</small>
VIVA VIEW RAILING SYSTEM
NOTES:

VIVA RAILINGS LLC
 650 E HWY 121 BUSINESS
 SUITE 204 LEWISVILLE, TX 75057
 PH: 972-353-8482 FAX: 972-353-0013
 email: info@vivarailings.com

