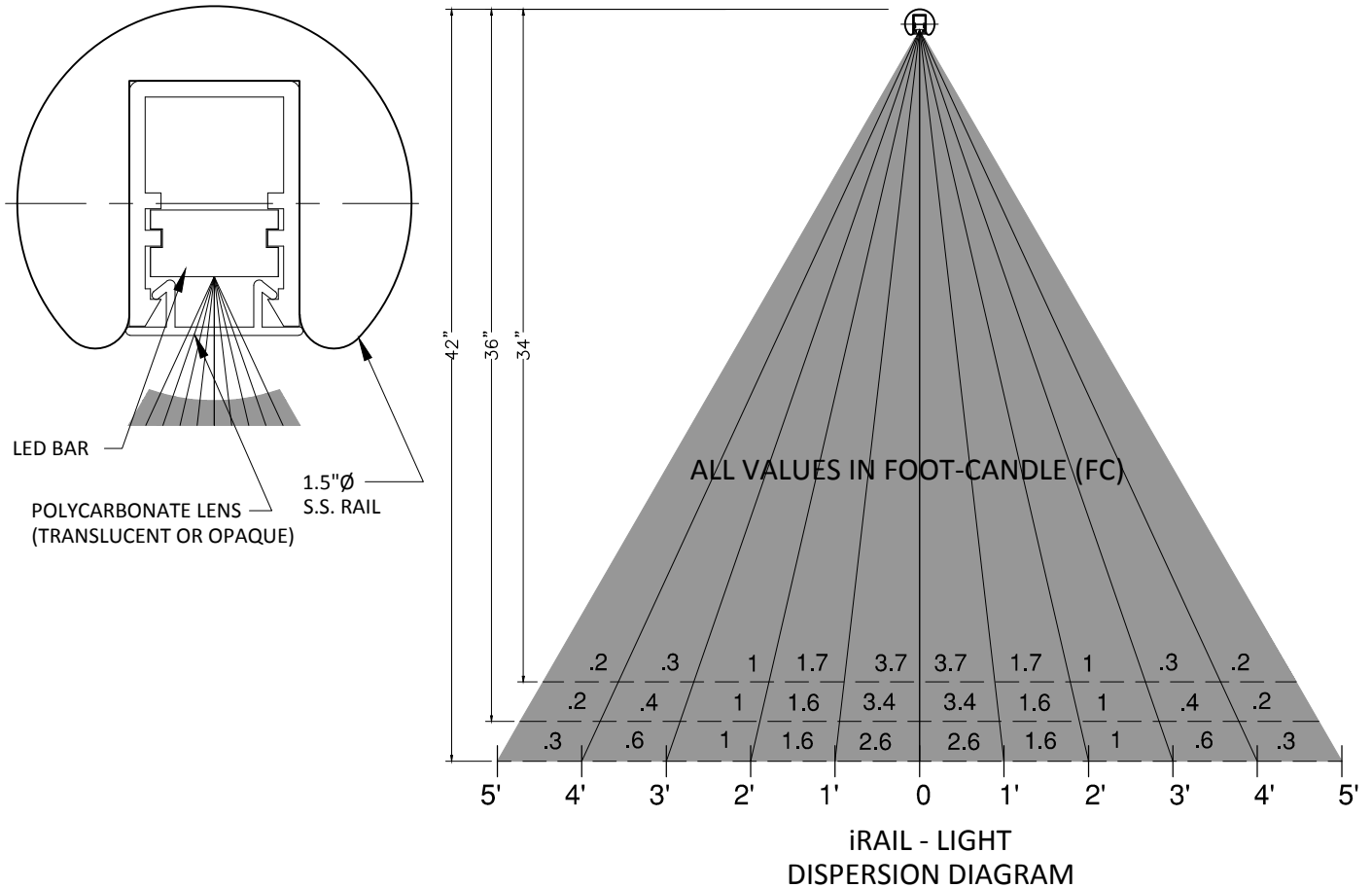


VIVA iRAIL - ILLUMINATED RAIL SYSTEM



Values using transparent lens, light intensity can be reduced using opaque lens.

VIVA iRail - illuminated Rail System designed for indoor and outdoor lighted rail applications. iRail uses ingeniously designed water resistant LED light bars which are molded in clear resin in an aluminum casing.

LED Specifications:

- LED: 5000K - 5500K Cool White
- LED: 3000K - 3500K Warm White
- LED Output: 140 lumens/ft
- 24VDC , 2 watts per ft consumption
- LED Lens: Translucent or Opaque
- LED Life: 50,000 hours
- IP67 Rating
- Remote Power Supply:
Input: 100-120 VAC / 200-240 VAC
Output: 24VDC
Available in 60w, 100w, 150w, 200w, & 300w
30' continuous iRail run between wire feeds

Applications:

- Wall Mounted Rail
- Posted Mounted Handrail (available with any of the VIVA systems CIRCA, BLADE, CUBE etc.)
- Free Standing Handrail (no in-fill)
- Rail: 1.5" Diameter Stainless Steel Slotted tube
- Finish: #6 (380 Grit) Brushed Satin

PRODUCT DATA

RAIL SYSTEM:

ISSUE DATE
2011

SHEET #
1 OF 6

iRAIL ILLUMINATED SYSTEM

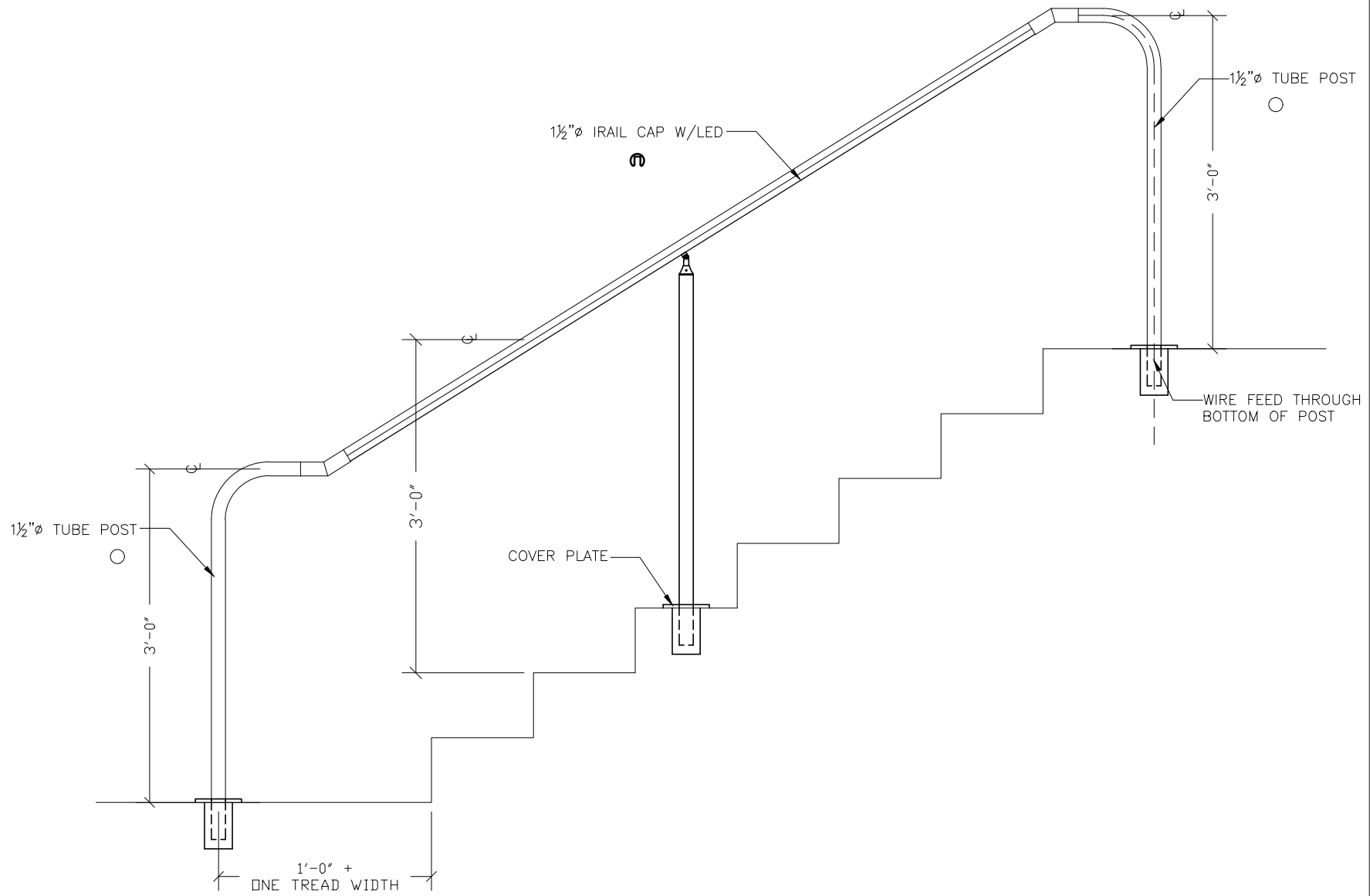
VIVA RAILINGS, LLC

650 E HWY 121 STE. 204
LEWISVILLE, TX 75057
P: 972-353-8482
F: 972-353-0013
e: info@vivarailings.com
www.vivarailings.com





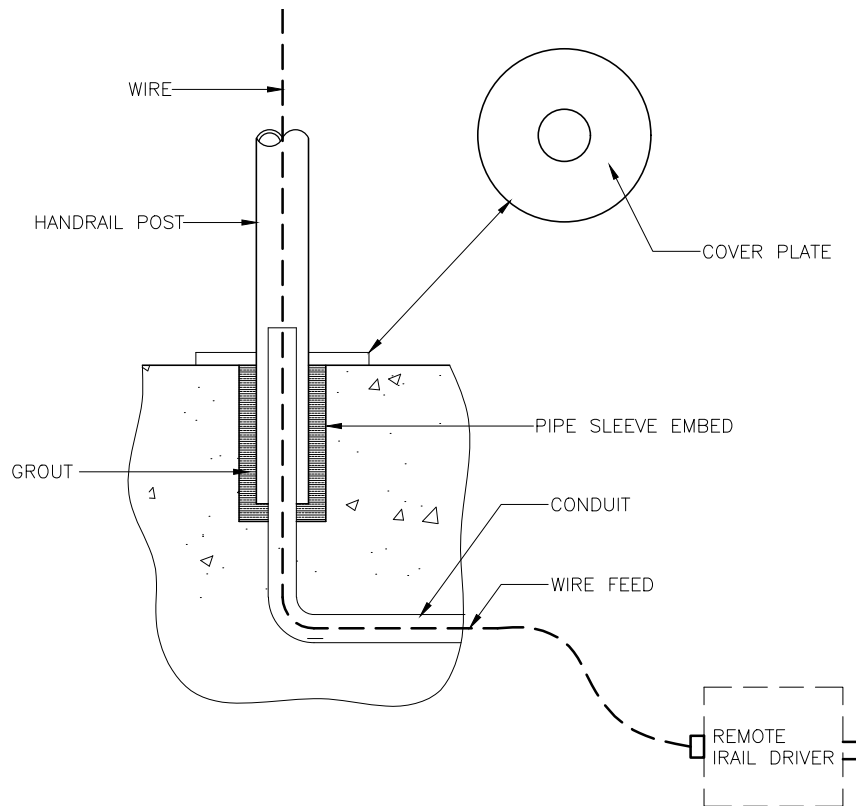
VIVA RAILINGS, LLC
650 E HWY 121 STE. 204
LEWISVILLE, TX 75057
P: 972-353-8482
F: 972-353-0013
e: info@vivarailings.com
www.vivarailings.com



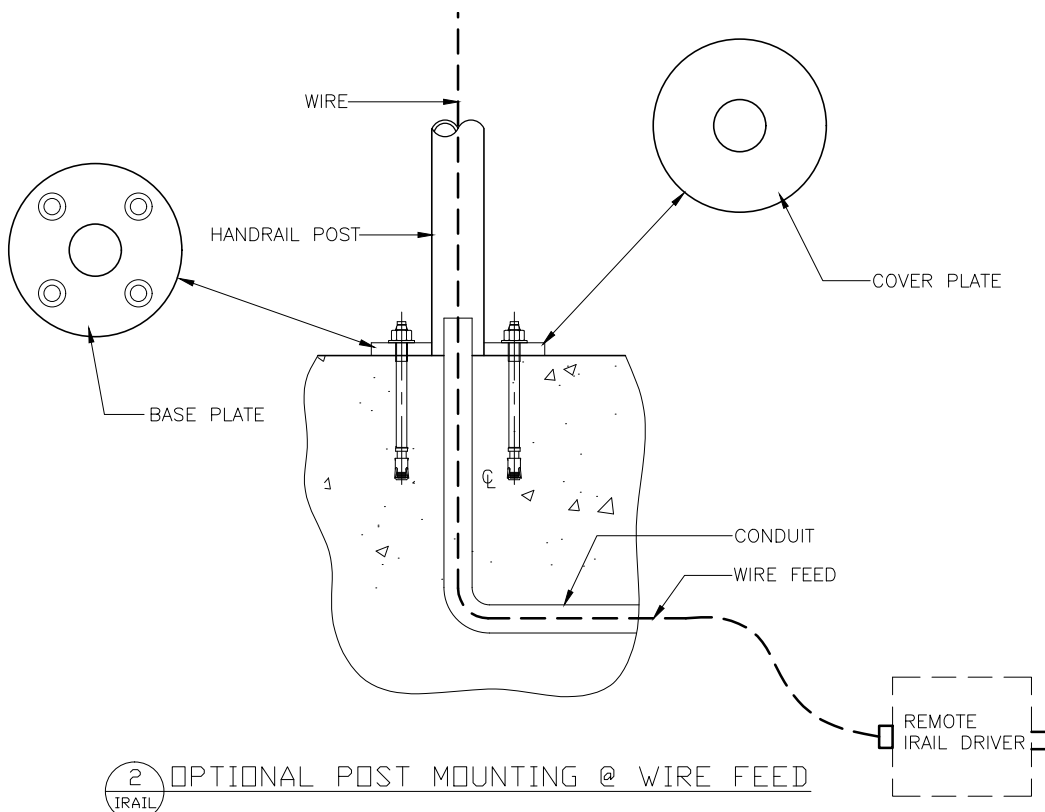
1 SLOPED FREESTANDING ONE LINE STEP RAIL
SHOE SCALE: N.T.S.

RAIL SYSTEM:
FREESTANDING ONE LINE RAIL
IRAIL ILLUMINATED SYSTEM

PRODUCT DATA	ISSUE DATE	SHEET #
	2011	2 OF 6



1 STANDARD POST MOUNTING @ WIRE FEED
IRAIL



2 OPTIONAL POST MOUNTING @ WIRE FEED
IRAIL

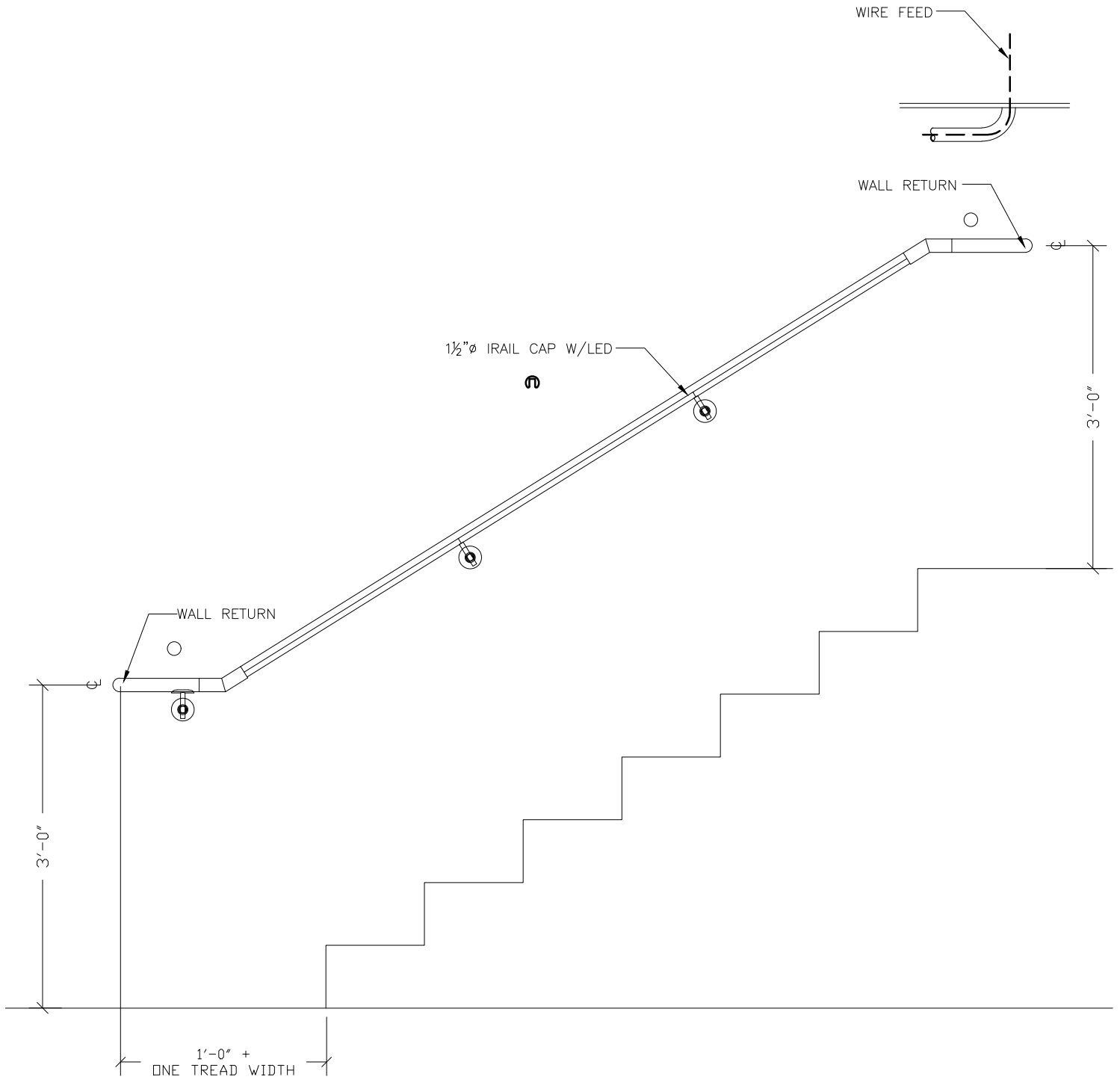
PRODUCT DATA

ISSUE DATE SHEET #
2011 3 OF 6

RAIL SYSTEM:
POST MOUNTING @ WIRE FEED DETAILS
IRAIL ILLUMINATED SYSTEM

VIVA RAILINGS, LLC
650 E HWY 121 STE. 204
LEWISVILLE, TX 75057
P: 972-353-8482
F: 972-353-0013
e: info@vivarailings.com
www.vivarailings.com





1 SLOPED FREESTANDING ONE LINE STEP RAIL
 IRAIL SCALE: N.T.S.

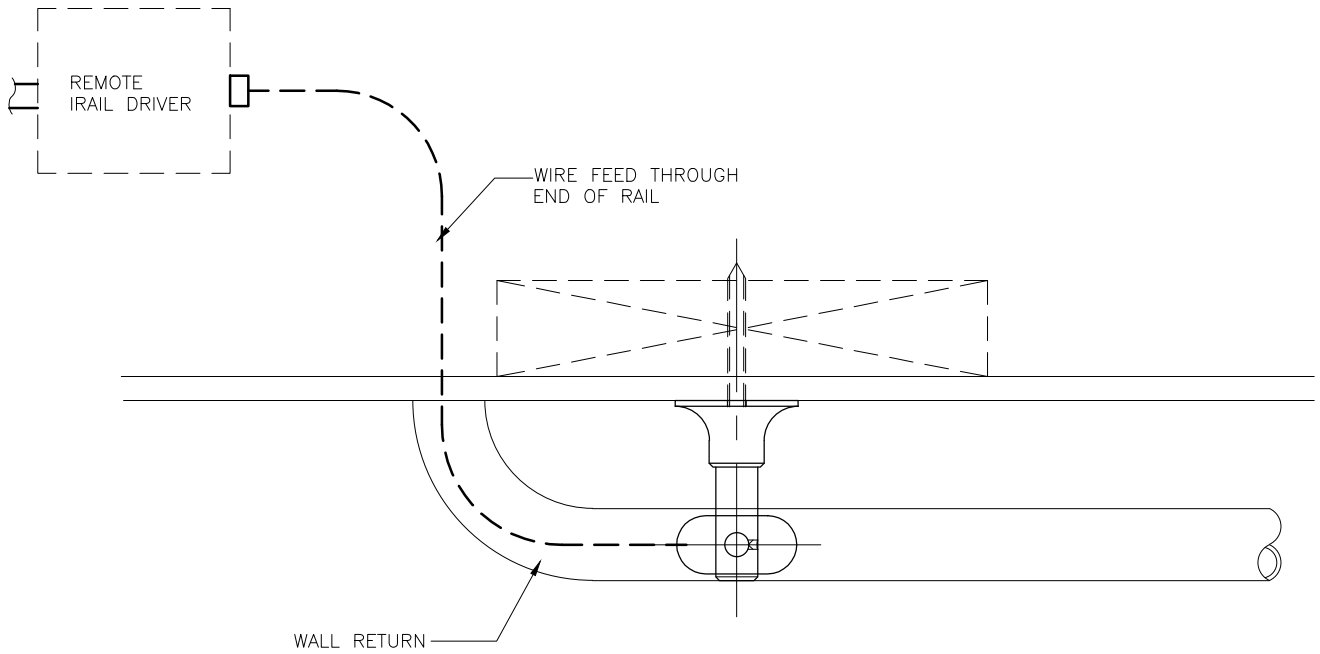
PRODUCT DATA

RAIL SYSTEM:
 FREESTANDING ONE LINE RAIL
 IRAIL ILLUMINATED SYSTEM

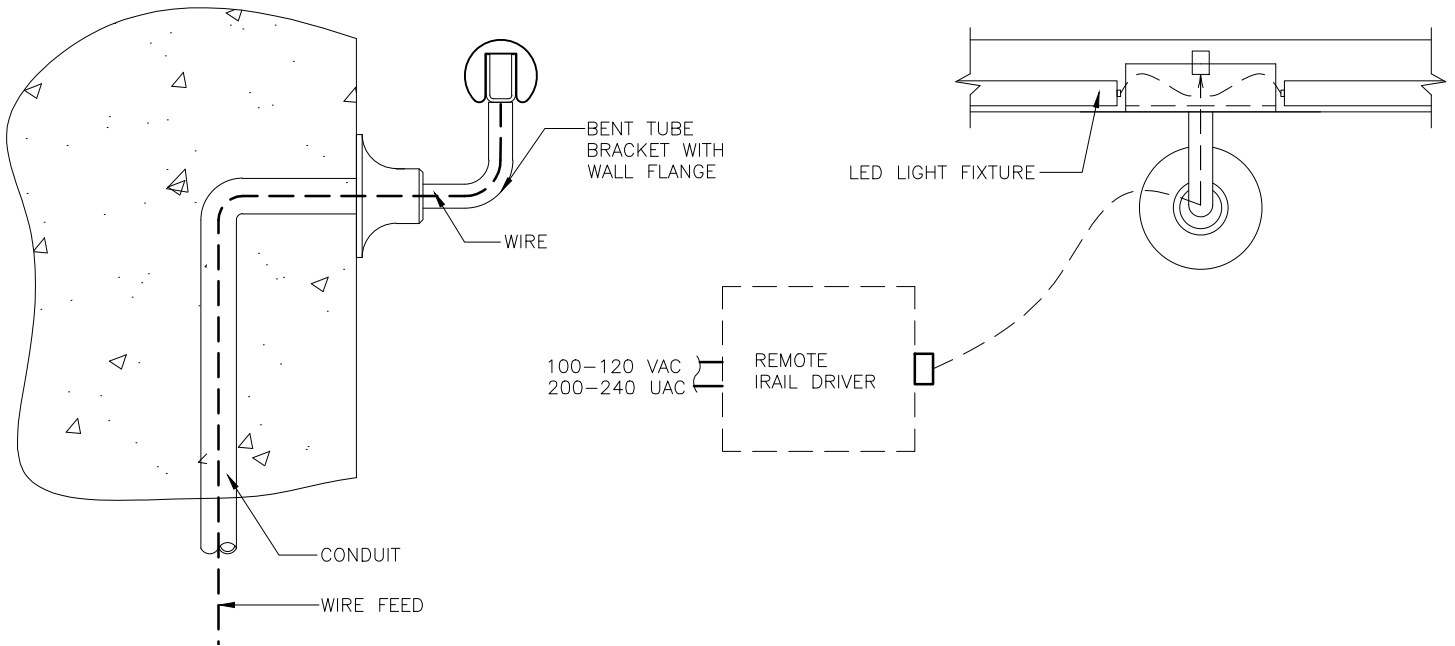
ISSUE DATE	SHEET #
2011	4 OF 6

VIVA RAILINGS, LLC
 650 E HWY 121 STE. 204
 LEWISVILLE, TX 75057
 P: 972-353-8482
 F: 972-353-0013
 e: info@vivarailings.com
 www.vivarailings.com





1 STANDARD WIRE FEED
IRAIL SCALE: N.T.S.



3 WALL BRACKET WIRE FEED
IRAIL SCALE: N.T.S.

PRODUCT DATA

RAIL SYSTEM:
FREESTANDING ONE LINE RAIL
IRAIL ILLUMINATED SYSTEM

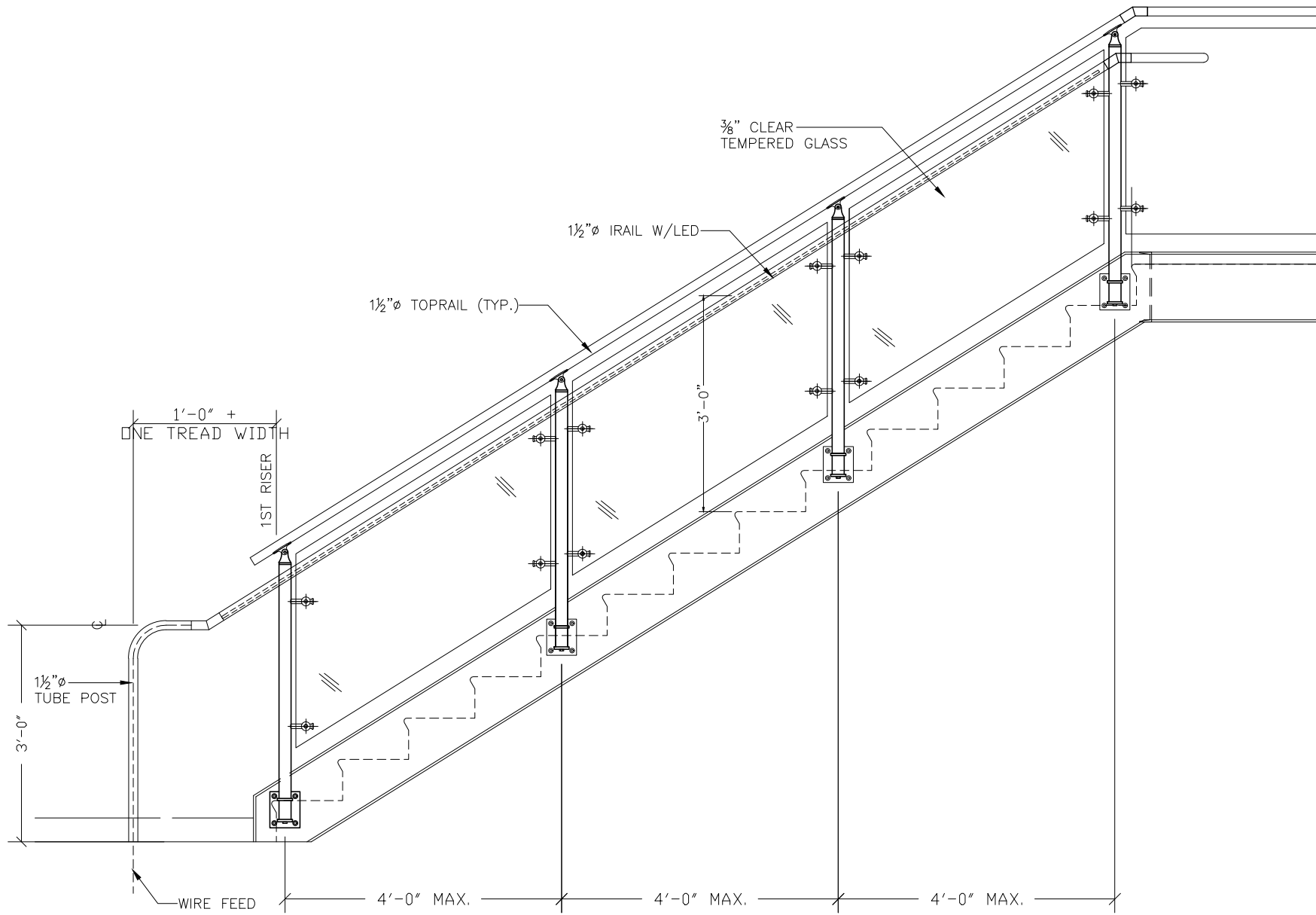
ISSUE DATE SHEET #
2011 5 OF 6

VIVA RAILINGS, LLC
650 E HWY 121 STE. 204
LEWISVILLE, TX 75057
P: 972-353-8482
F: 972-353-0013
e: info@vivarailings.com
www.vivarailings.com





VIVA RAILINGS, LLC
 650 E HWY 121 STE. 204
 LEWISVILLE, TX 75057
 P: 972-353-8482
 F: 972-353-0013
 e: info@vivarailings.com
 www.vivarailings.com



1 POST MOUNTED IRAIL L.E.D. SYSTEM
 SCALE: N.T.S.

RAIL SYSTEM:
 FREESTANDING ONE LINE RAIL
 IRAIL ILLUMINATED SYSTEM

PRODUCT DATA

ISSUE DATE	SHEET #
2011	6 OF 6